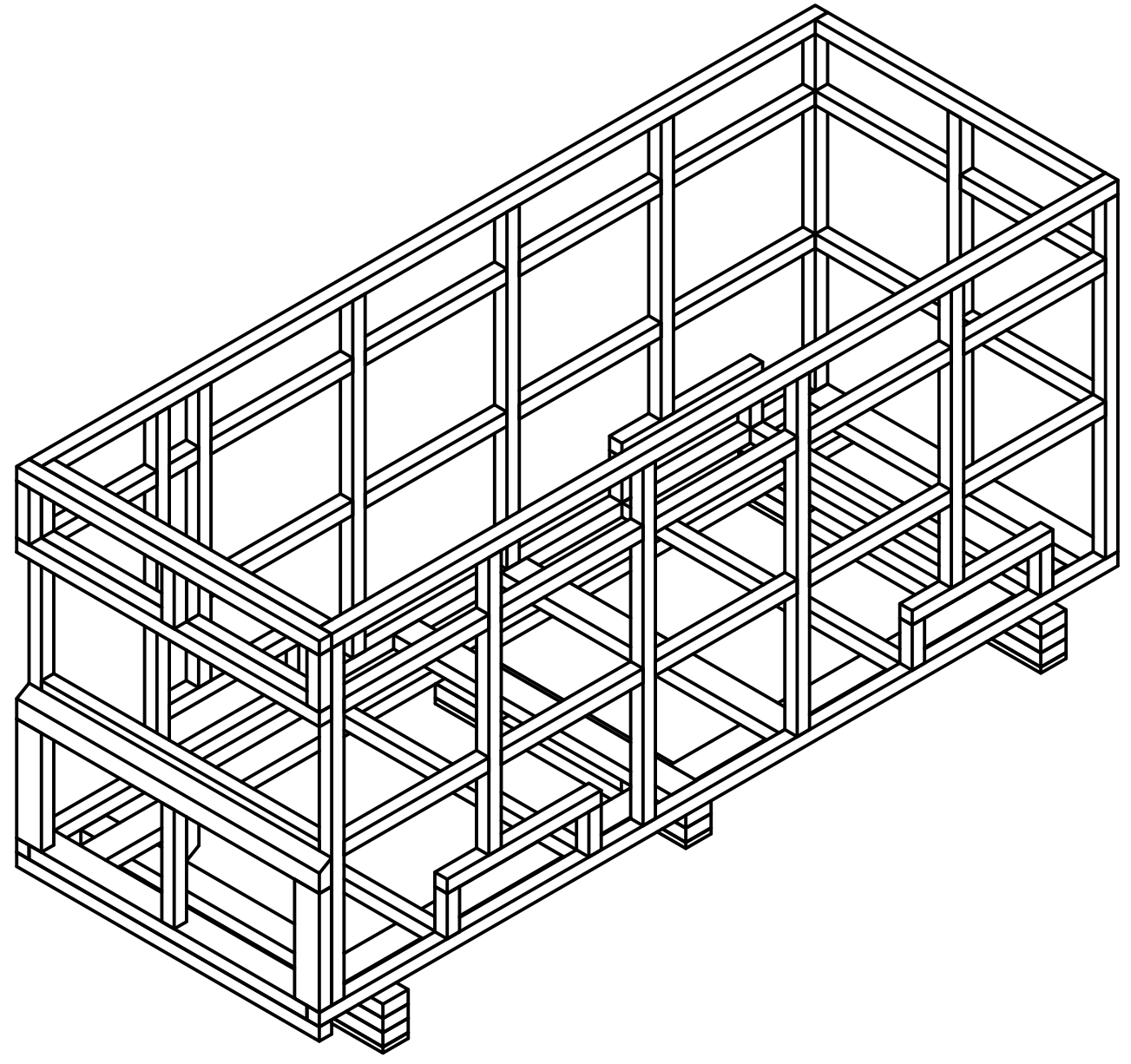
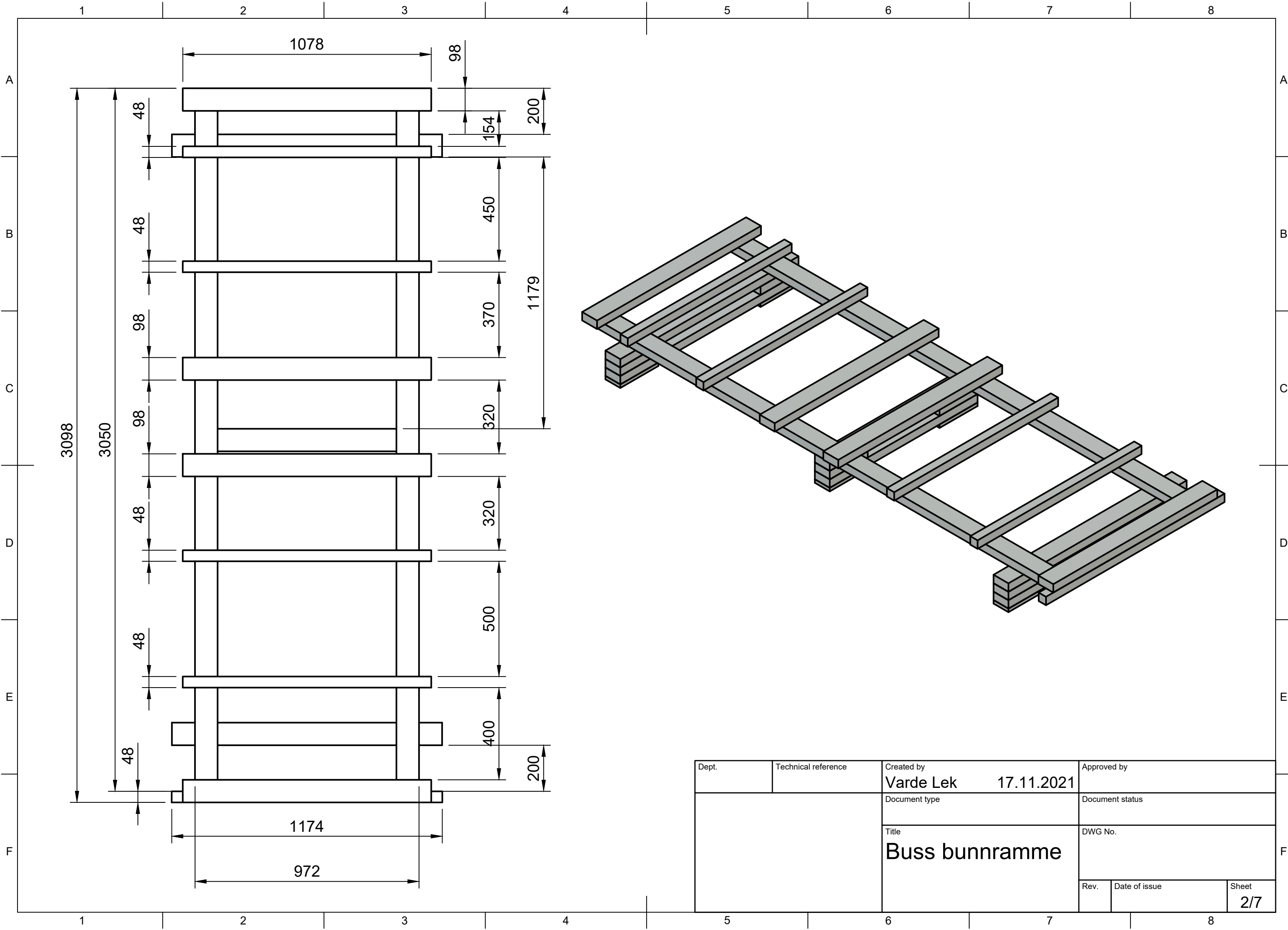


Parts List, Buss			
Vegger			
Antall	Material (Bredde, Høyde)	Lengde (mm)	
2	48 / 48	3098	
2	48 / 48	3050	
9	48 / 48	1200	
2	48 / 48	1174	
3	48 / 48	1078	
4	48 / 48	1000	
2	48 / 48	562	
17	48 / 48	550	
2	48 / 48	546	
4	48 / 48	515	
2	48 / 48	400	
7	48 / 48	152	
2	48 / 48	114	
1	98 / 48	1078	
1	98 / 48	1174	30 grader, front
2	98 / 48	400	

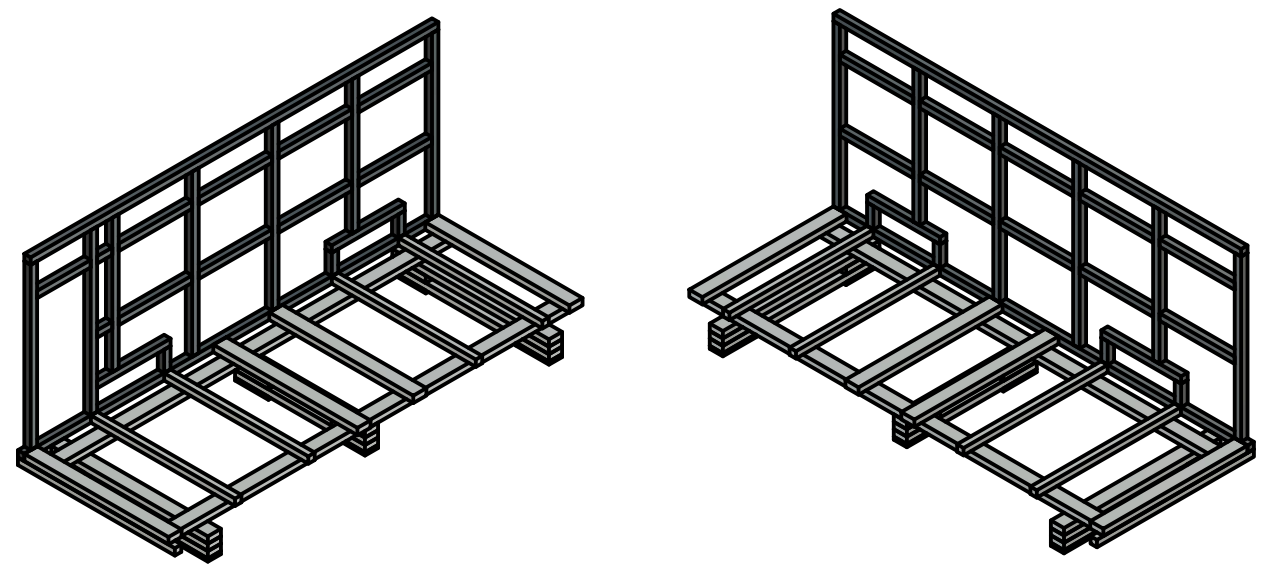
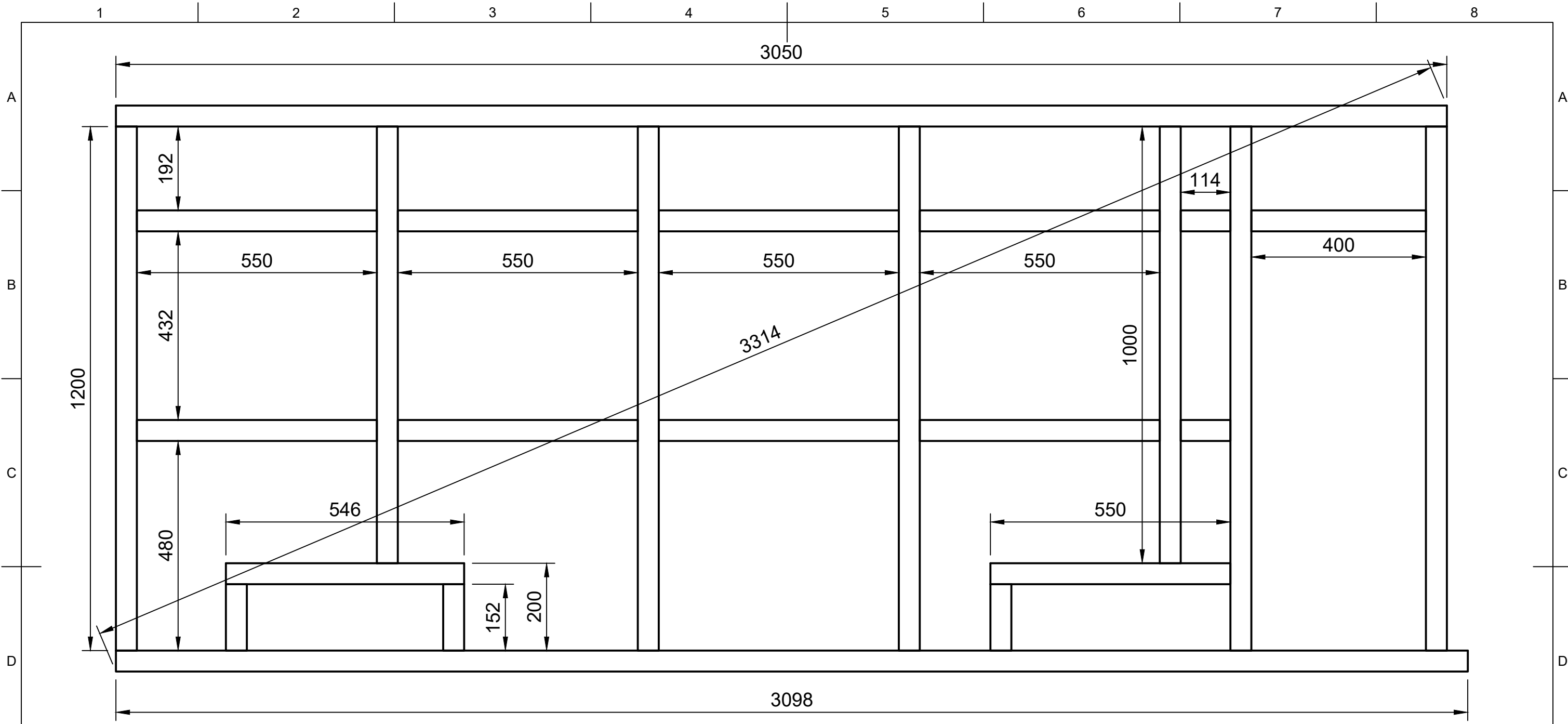
Bunnramme			
Antall	Material (Bredde, Høyde)	Lengde (mm)	
2	98 / 48	3050	
4	98 / 48	1078	
4	98 / 48	1174	
2	98 / 48	972	
6	98 / 48	250	
1	48 / 48	1174	
4	48 / 48	1078	



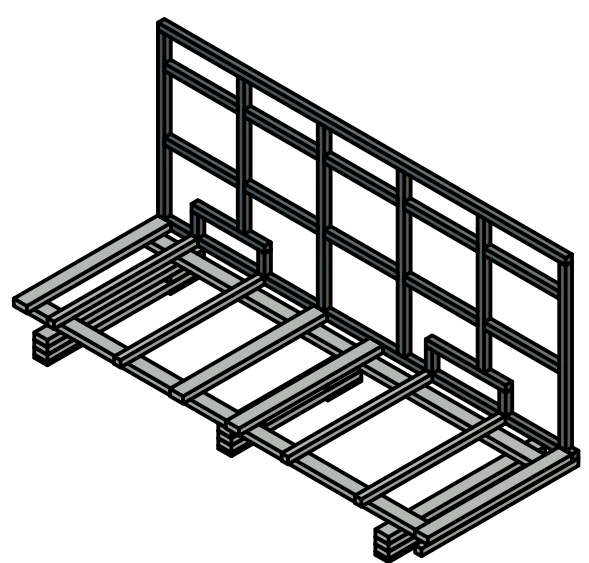
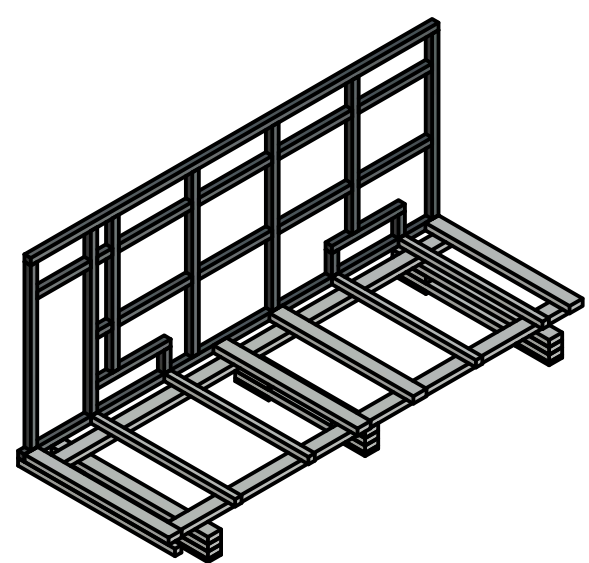
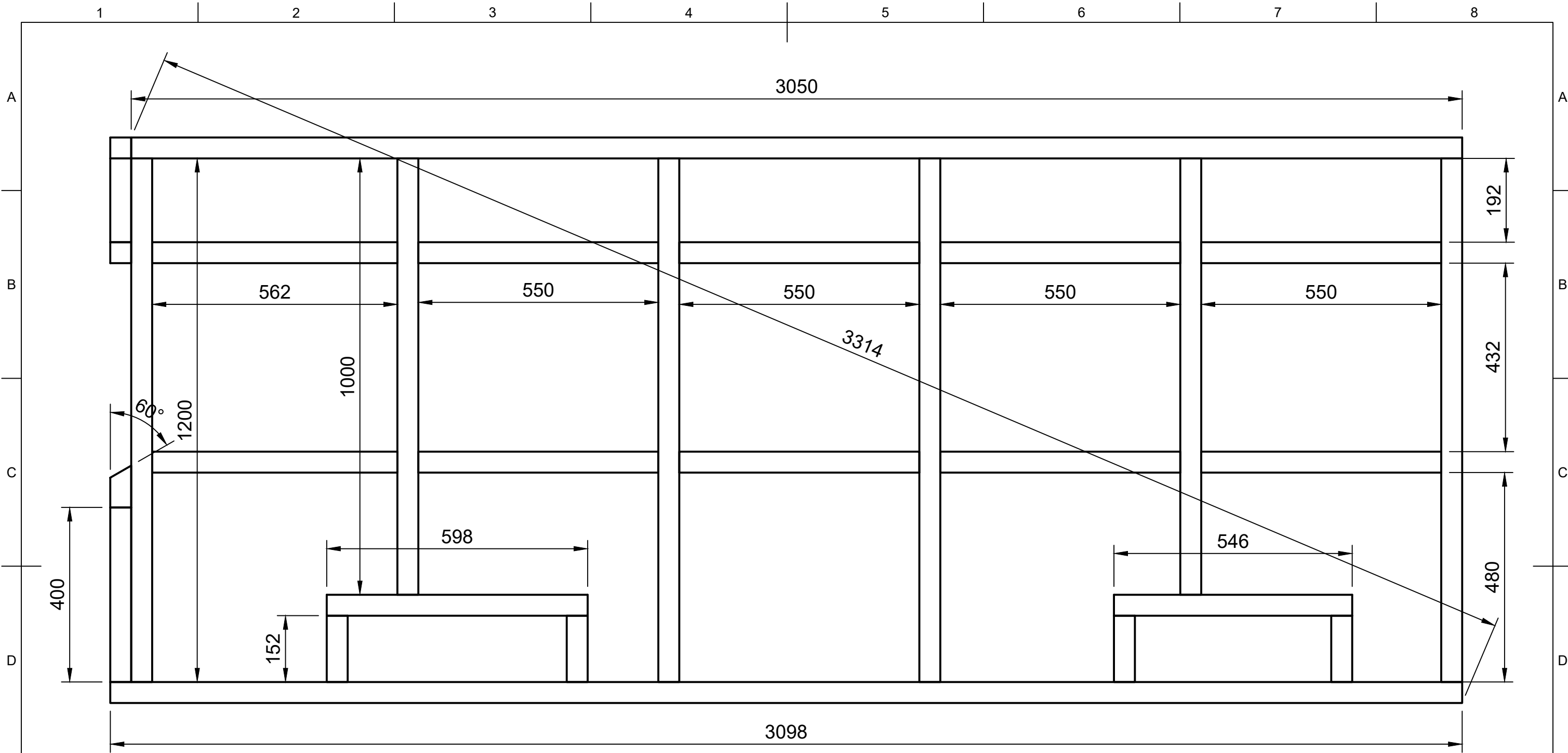
Dept.	Technical reference	Created by <b>Varde Lek</b>	17.11.2021	Approved by
		Document type	Document status	
		Title <b>Buss Kappliste</b>	DWG No.	
		Rev.	Date of issue	Sheet <b>1/7</b>



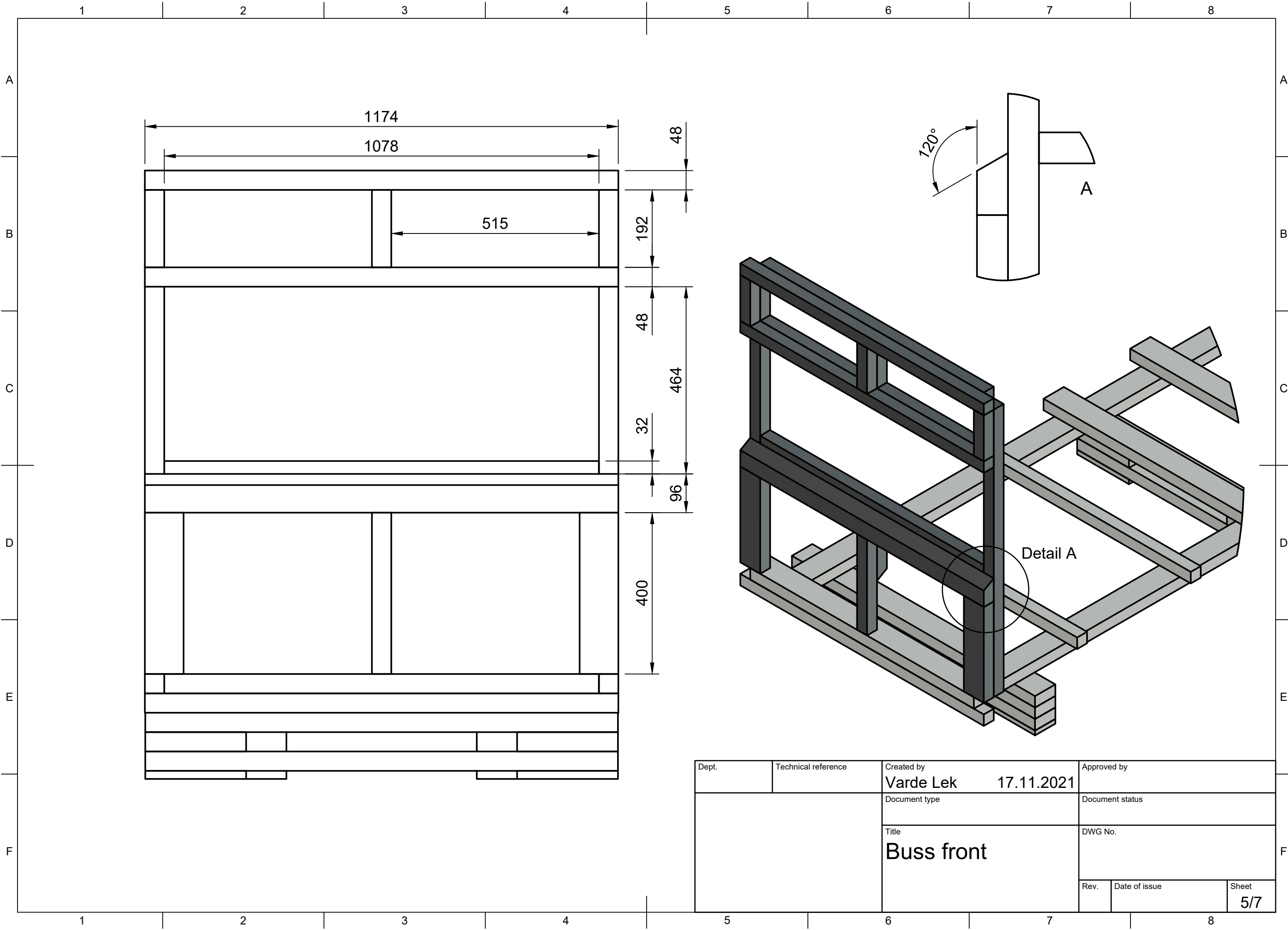
Dept.	Technical reference	Created by <b>Varde Lek</b>	17.11.2021	Approved by
		Document type	Document status	
		Title <b>Buss bunnramme</b>	DWG No.	
		Rev.	Date of issue	Sheet <b>2/7</b>



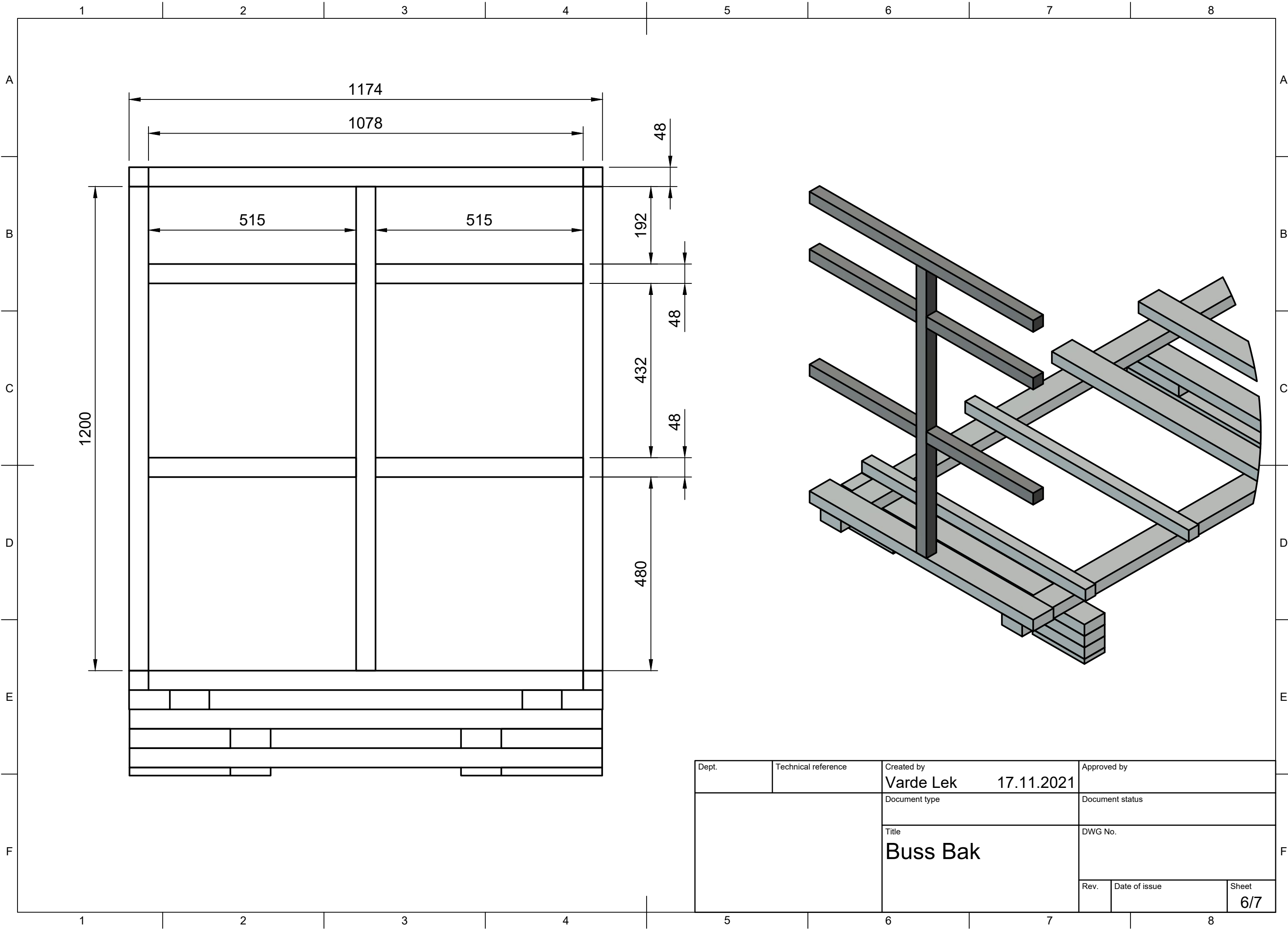
Dept.	Technical reference	Created by <b>Varde Lek</b>	17.11.2021	Approved by
		Document type	Document status	
		Title <b>Buss vegg</b>	DWG No.	
Rev.	Date of issue	Sheet		<b>3/7</b>



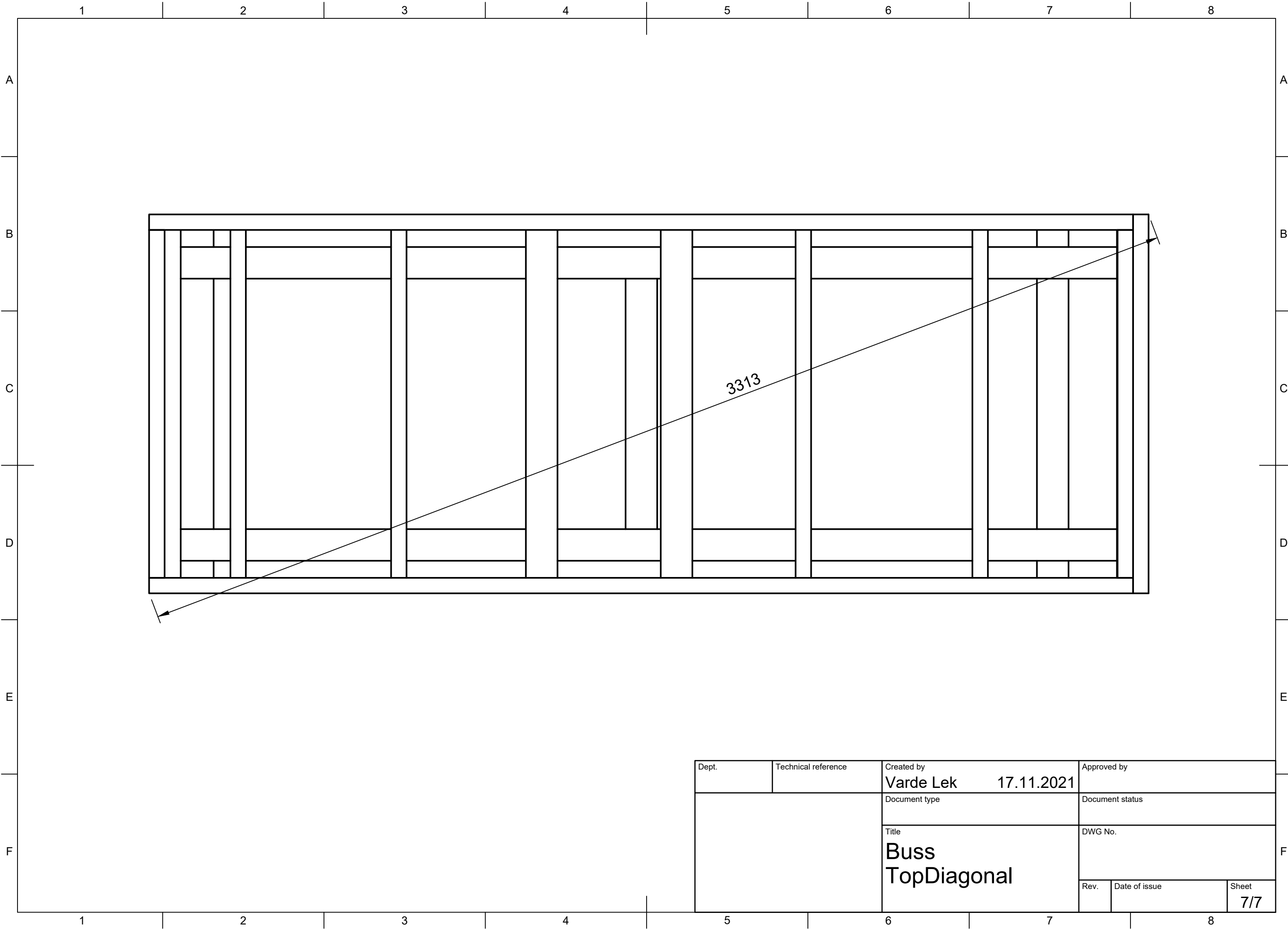
Dept.	Technical reference	Created by <b>Varde Lek</b>	17.11.2021	Approved by
		Document type	Document status	
		Title <b>Buss vegg</b>	DWG No.	
		Rev.	Date of issue	Sheet <b>4/7</b>



Dept.	Technical reference	Created by <b>Varde Lek</b>	17.11.2021	Approved by	
		Document type		Document status	
		Title <b>Buss front</b>		DWG No.	
		Rev.	Date of issue	Sheet <b>5/7</b>	



Dept.	Technical reference	Created by <b>Varde Lek</b>	17.11.2021	Approved by
		Document type	Document status	
		Title <b>Buss Bak</b>	DWG No.	
Rev.	Date of issue	Sheet	<b>6/7</b>	



Dept.	Technical reference	Created by <b>Varde Lek</b>	17.11.2021	Approved by
		Document type	Document status	
		Title <b>Buss TopDiagonal</b>	DWG No.	
Rev.	Date of issue	Sheet	7/7	