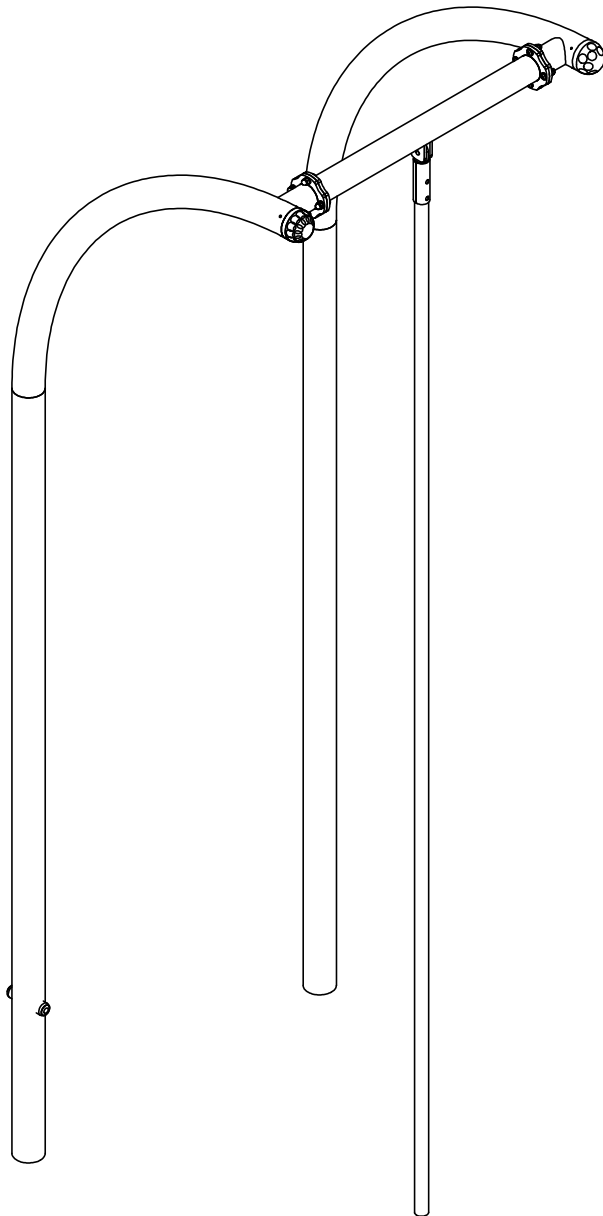
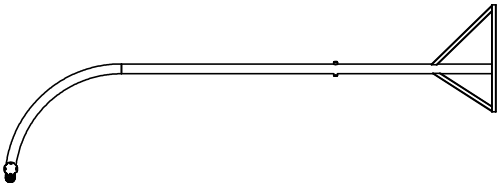

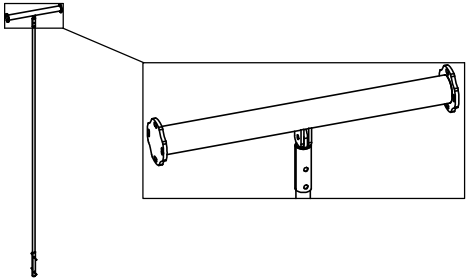
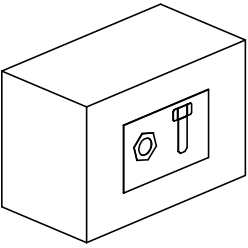
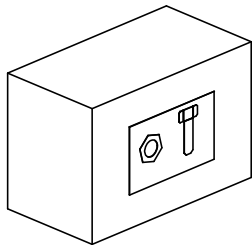





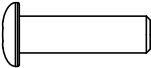
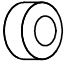
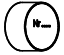
7610

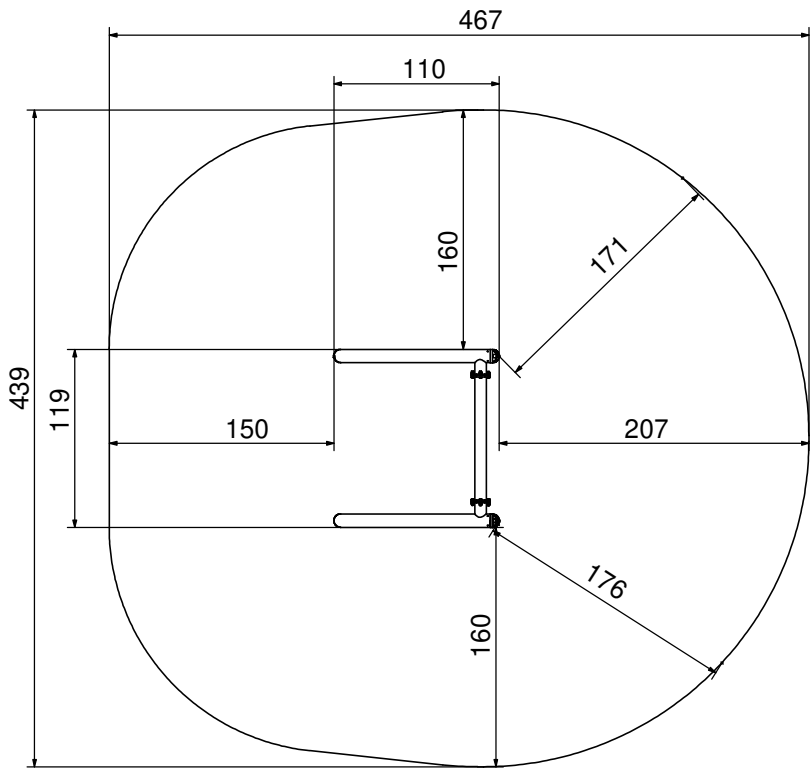
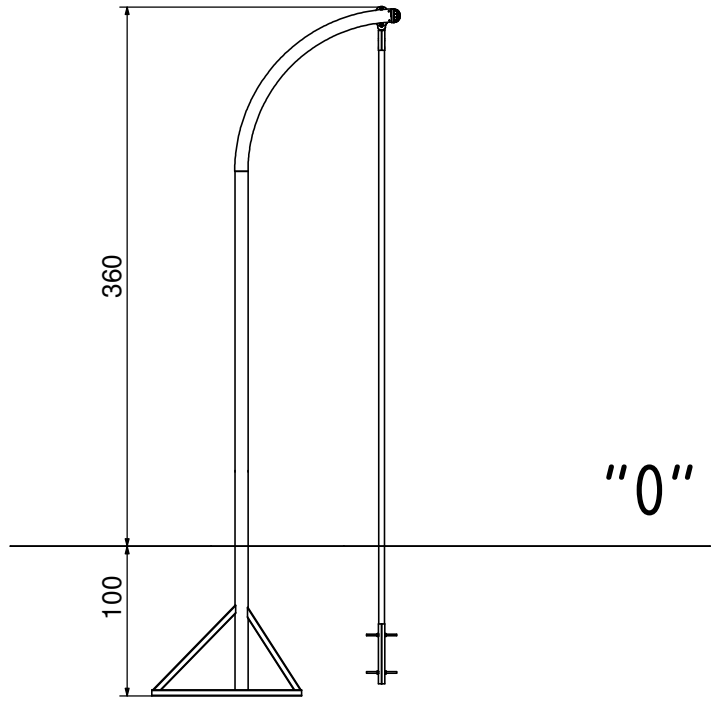


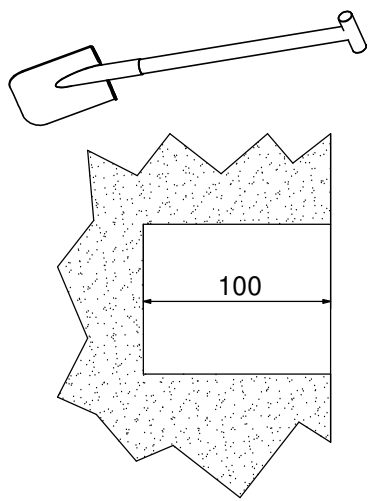
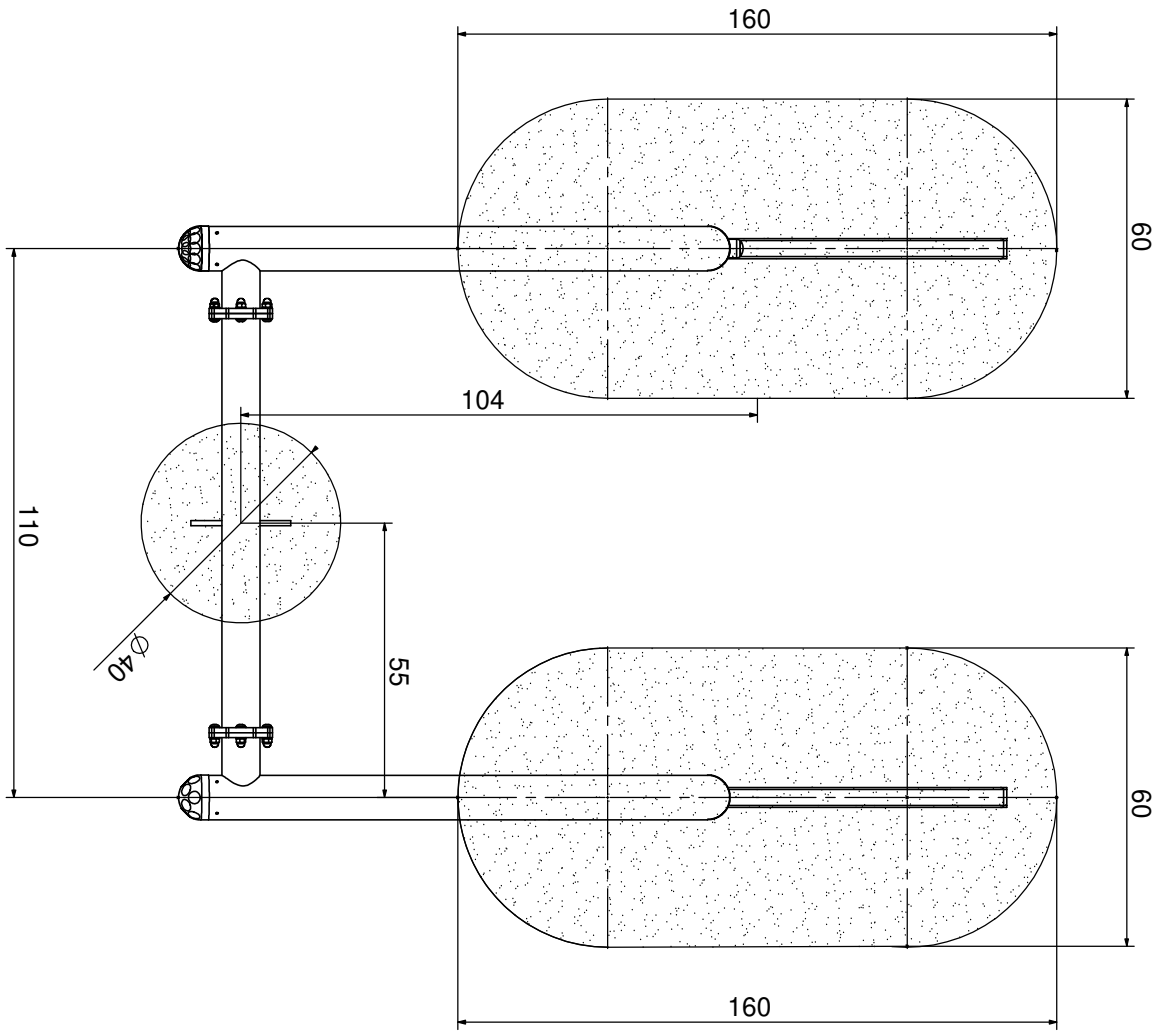
| NR | ELEMENT | 7610N | 7610F |
|----|---|-------|-------|
| E1 |  | 1 | 1 |
| E2 |  | 1 | 1 |
| E3 |  | 1 | 1 |
| E4 |  | 1 | 1 |



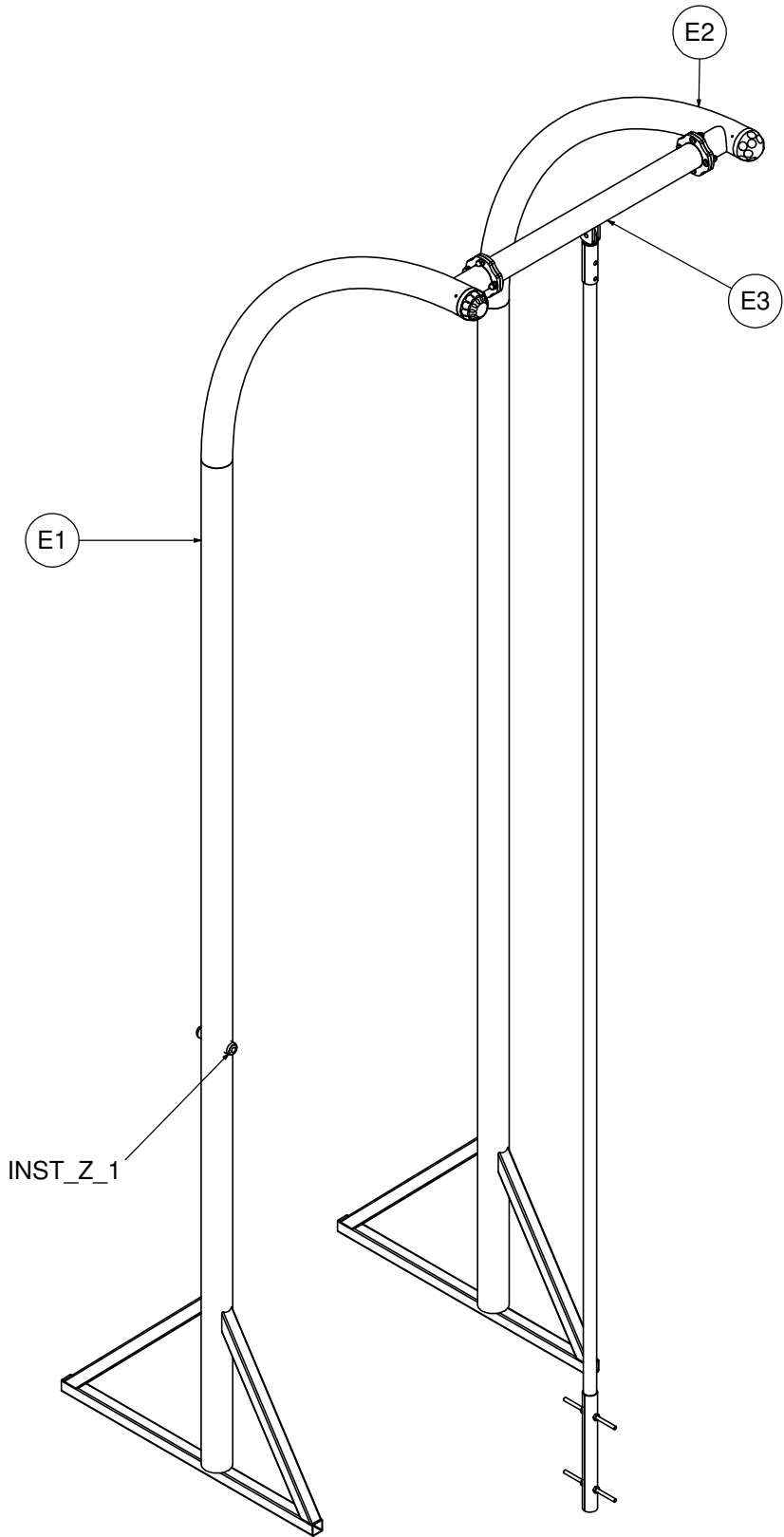
7610N

| Nr | Element | | | Σ |
|-----|--|----------|---------|----------|
| 4 |  | DIN 125 | 10x20 | 16 |
| 57 |  | DIN 1587 | M10 | 8 |
| 58 |  | - | LOCTITE | 1 |
| 81 |  | ISO 7380 | M10x35 | 8 |
| 213 |  | - | Z_NA_1 | 1 |
| 214 |  | - | Z_NA_2 | 1 |

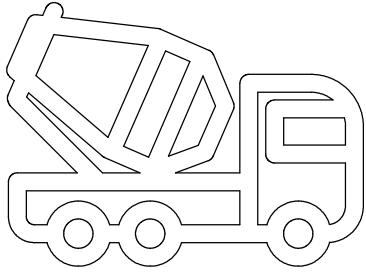




2



B25 1,1 m³



min. 48H

