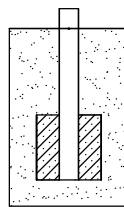
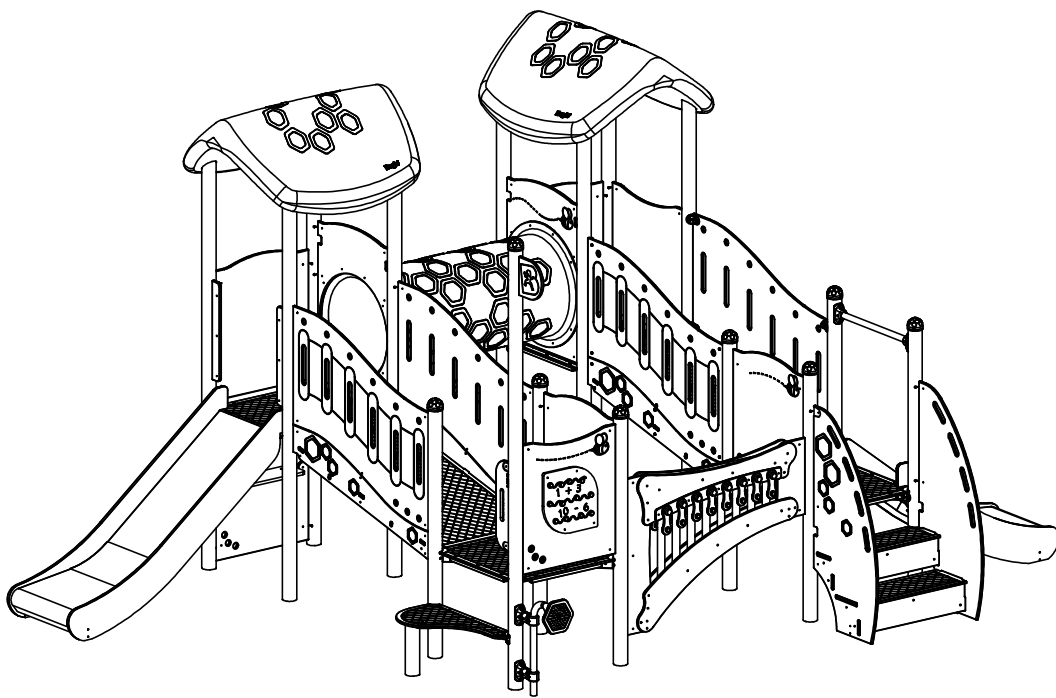
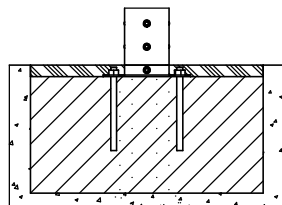


# 7116



7116N

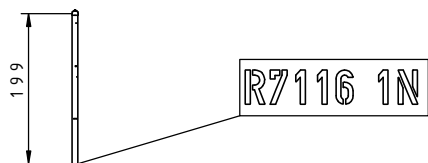


7116F5

NR

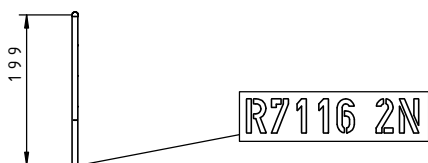
ELEMENT

E1



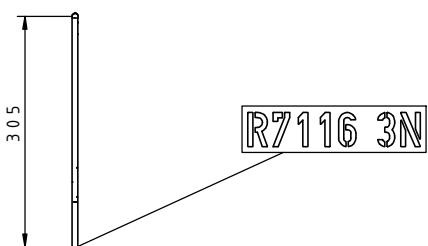
1

E2



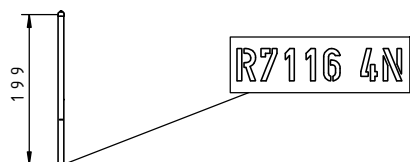
1

E3



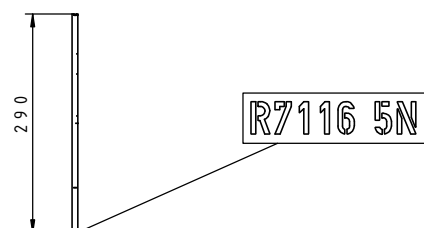
1

E4



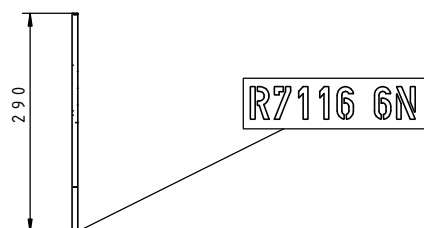
1

E5



1

E6

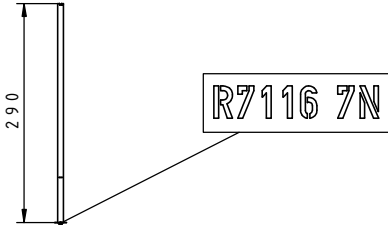


1

NR

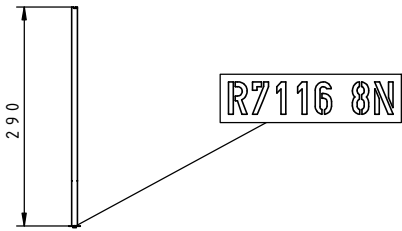
ELEMENT

E7



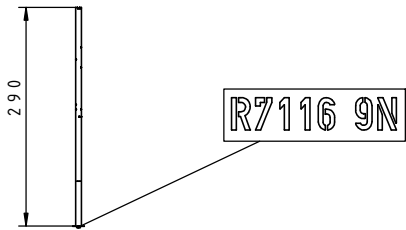
1

E8



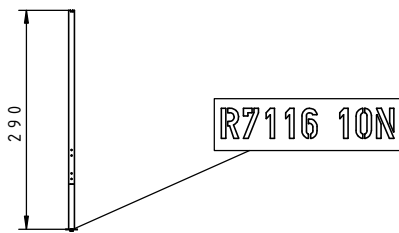
1

E9



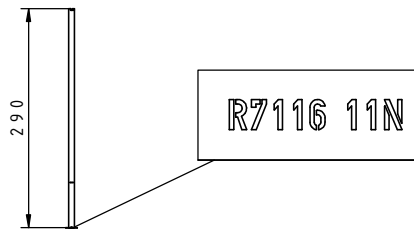
1

E10



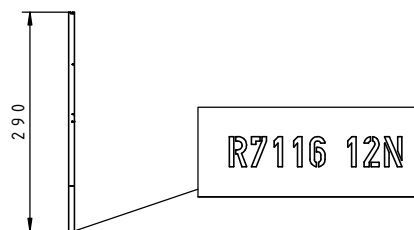
1

E11



1

E12



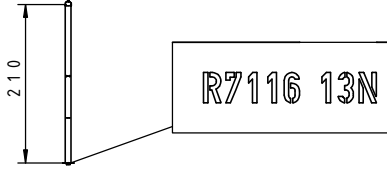
1

7116N

NR

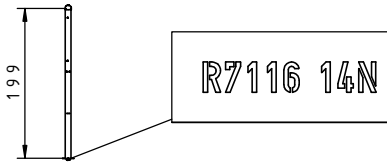
ELEMENT

E13



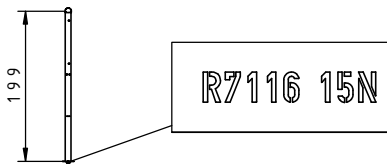
1

E14



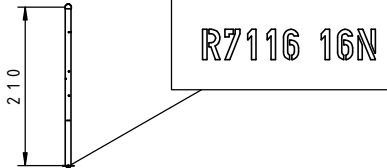
1

E15



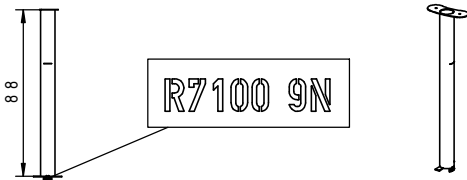
1

E16



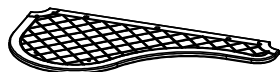
1

E17



1

E18

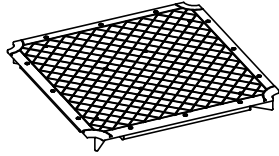


1

NR

ELEMENT

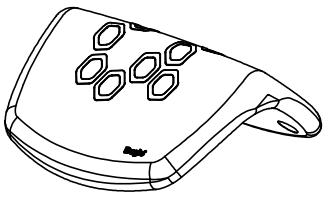
E19



70 x 70

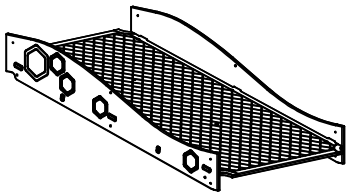
4

E20



2

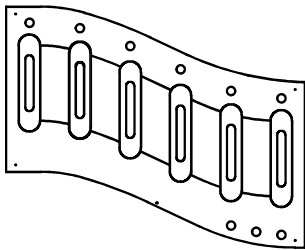
E21



H = 30 cm

2

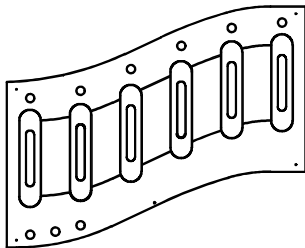
E22



119 x 96

2

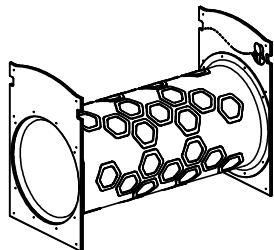
E23



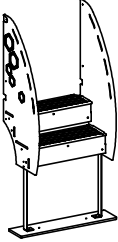
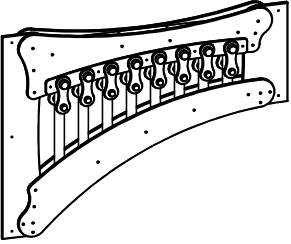
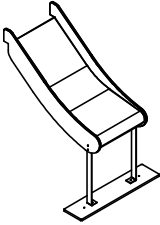
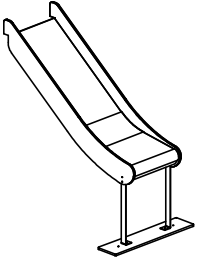
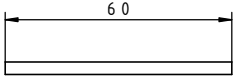

119 x 96

2

E24



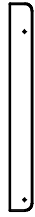
1

| NR  | ELEMENT  |   |
|-----|--|---|
| E25 |  <p>H=59cm</p>    | 1 |
| E26 |                   | 1 |
| E27 |  <p>H=59cm</p>   | 1 |
| E28 |  <p>H=90cm</p>  | 1 |
| E29 |                 | 1 |
| E30 |  <p>50 x 12</p> | 1 |

NR

ELEMENT

E31



2

55 x 6

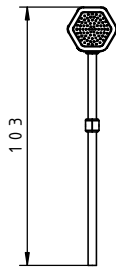
E32



1

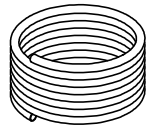
22 x 20

E33



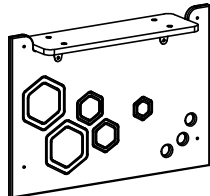
2

E34



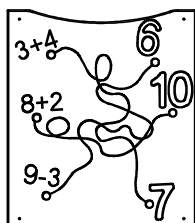
1

E35



1

E36



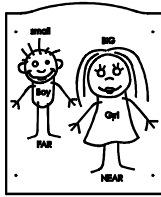
1

72 x 62

NR

ELEMENT

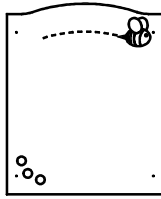
E37



76 x 62

1

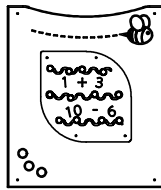
E38



76 x 62

2

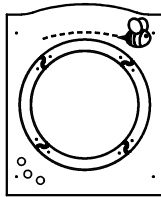
E39



72 x 62

1

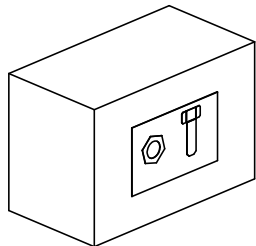
E40



76 x 62

1

E41

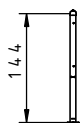


1

NR

ELEMENT

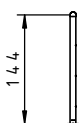
E1



R7116 1F5

1

E2



R7116 2F5

1

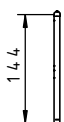
E3



R7116 3F5

1

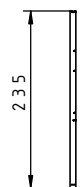
E4



R7116 4F5

1

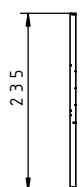
E5



R7116 5F5

1

E6



R7116 6F5

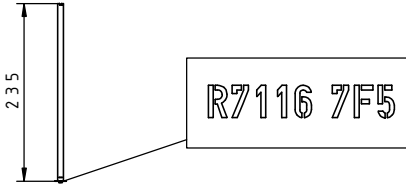
1

7116F5

NR

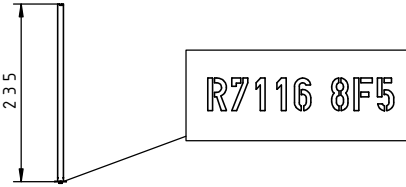
ELEMENT

E7



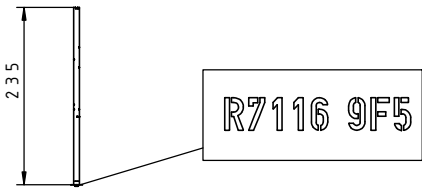
1

E8



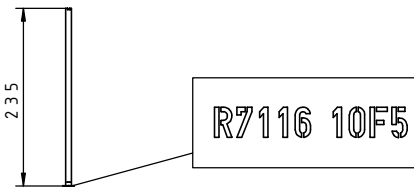
1

E9



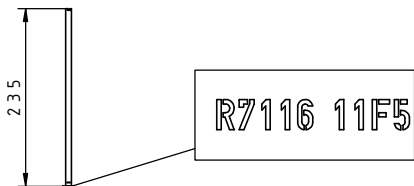
1

E10



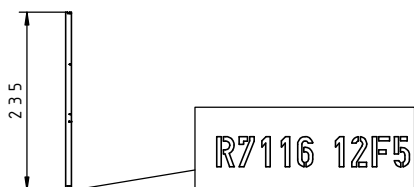
1

E11



1

E12



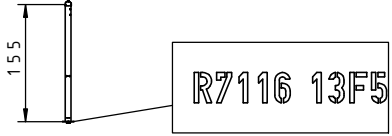
1

7116F5

NR

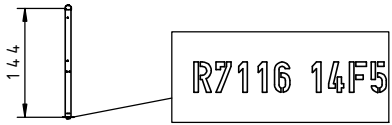
ELEMENT

E13



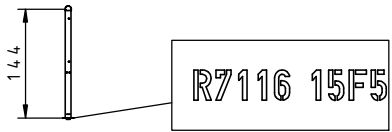
1

E14



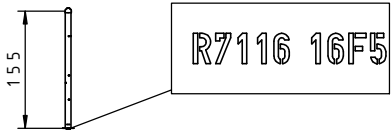
1

E15



1

E16



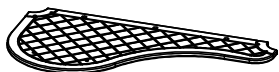
1

E17



1

E18

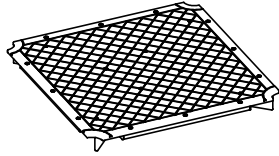


1

NR

ELEMENT

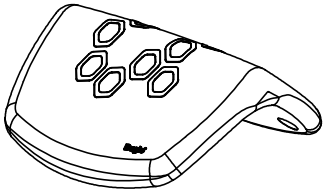
E19



70 x 70

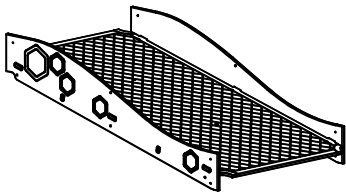
4

E20



2

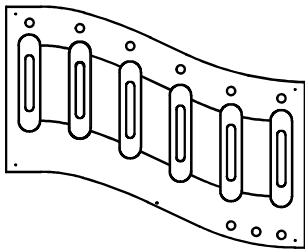
E21



H = 30 cm

2

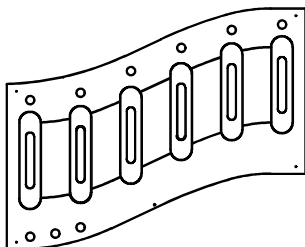
E22



119 x 96

2

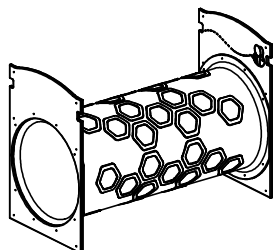
E23



119 x 96

2

E24

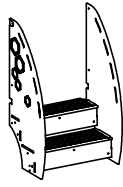


1

NR

ELEMENT

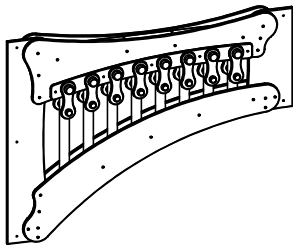
E25



1

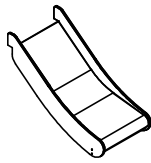
H=59cm

E26



1

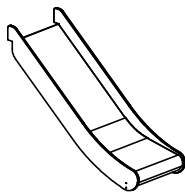
E27



1

H=59cm

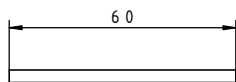
E28



1

H=90cm

E29



1

E30

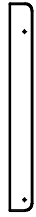


1

NR

ELEMENT

E31



2

55 x 6

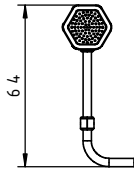
E32



1

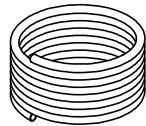
22 x 20

E33



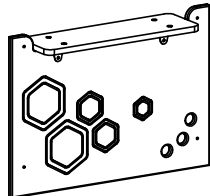
2

E34



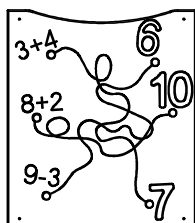
1

E35



1

E36



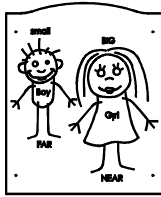
1

72 x 62

NR

ELEMENT

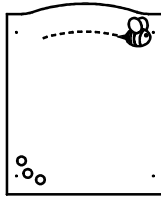
E37



76 x 62

1

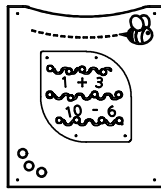
E38



76 x 62

2

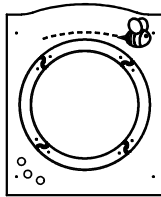
E39



72 x 62

1

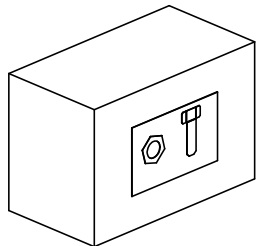
E40



76 x 62

1

E41



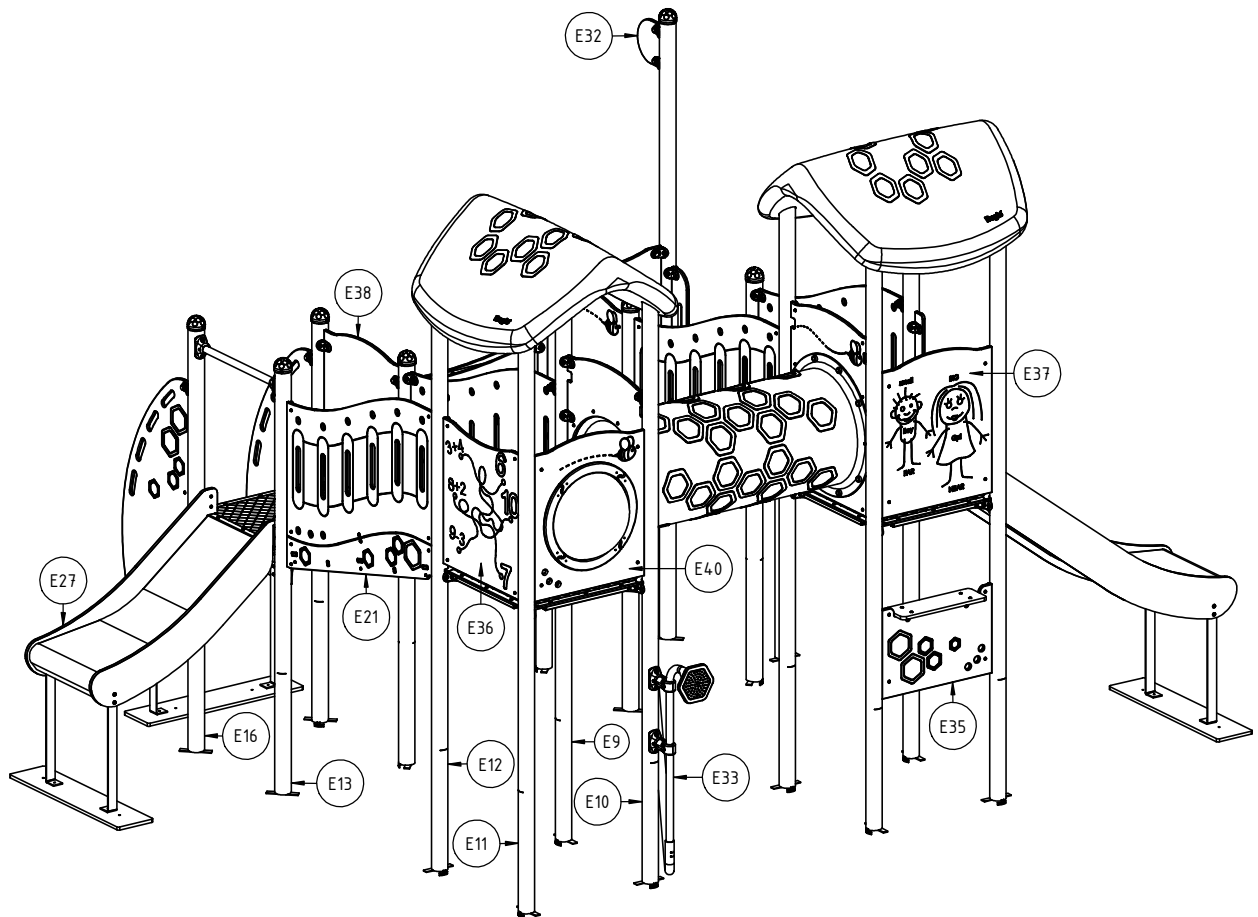
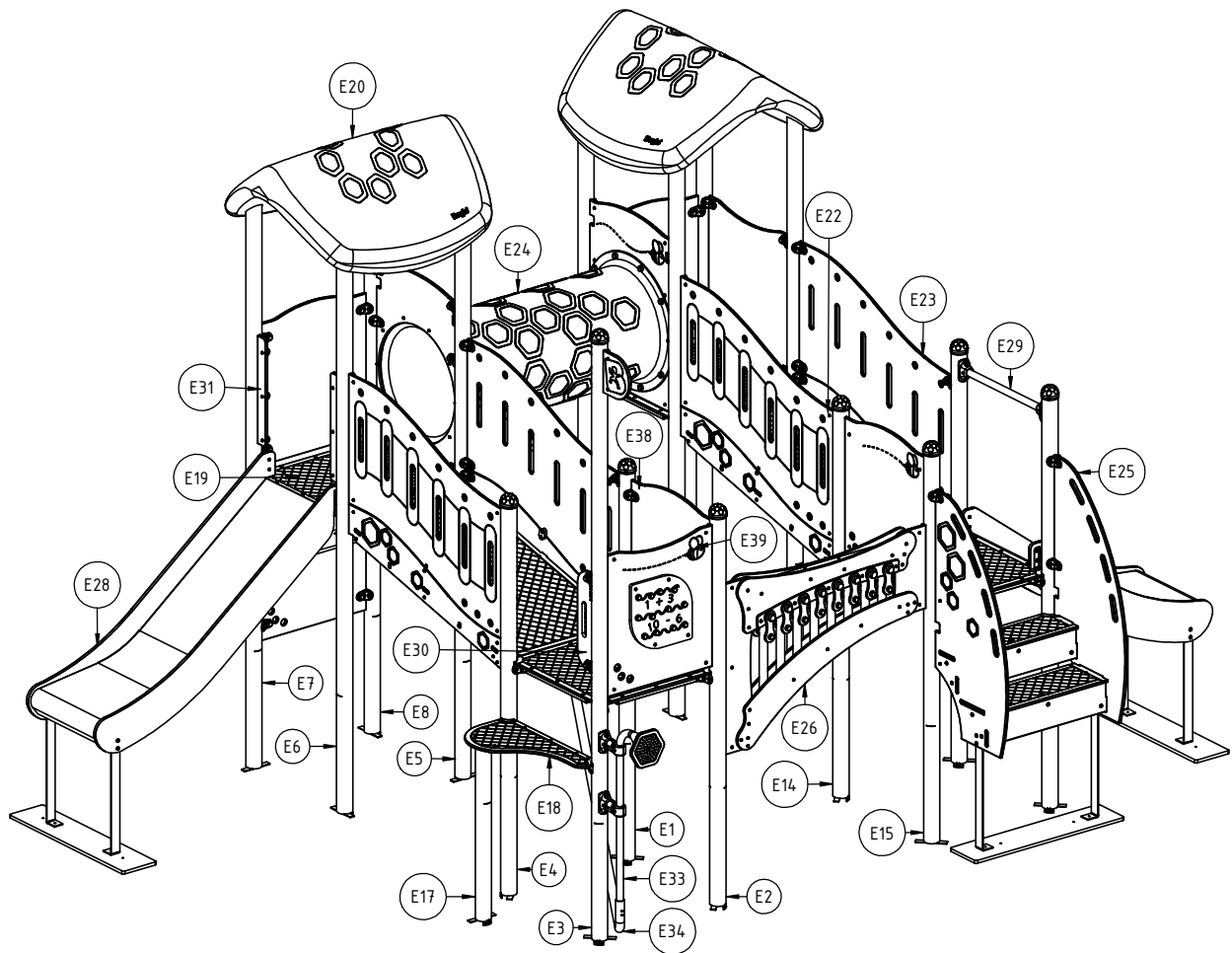
1

7116N  
7116F





7116N  
7116F

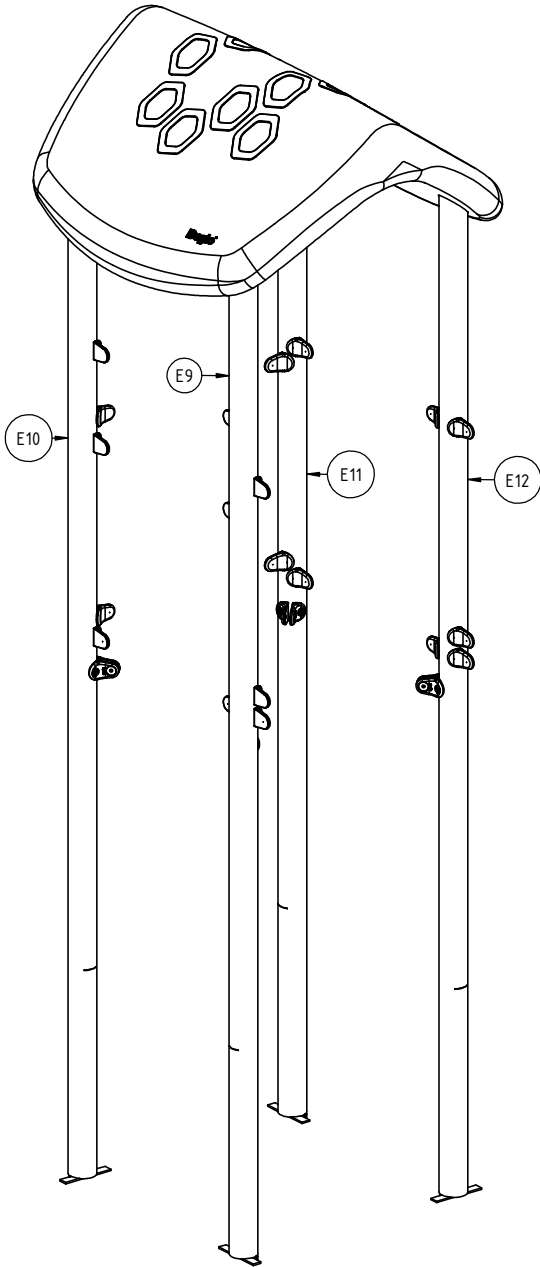
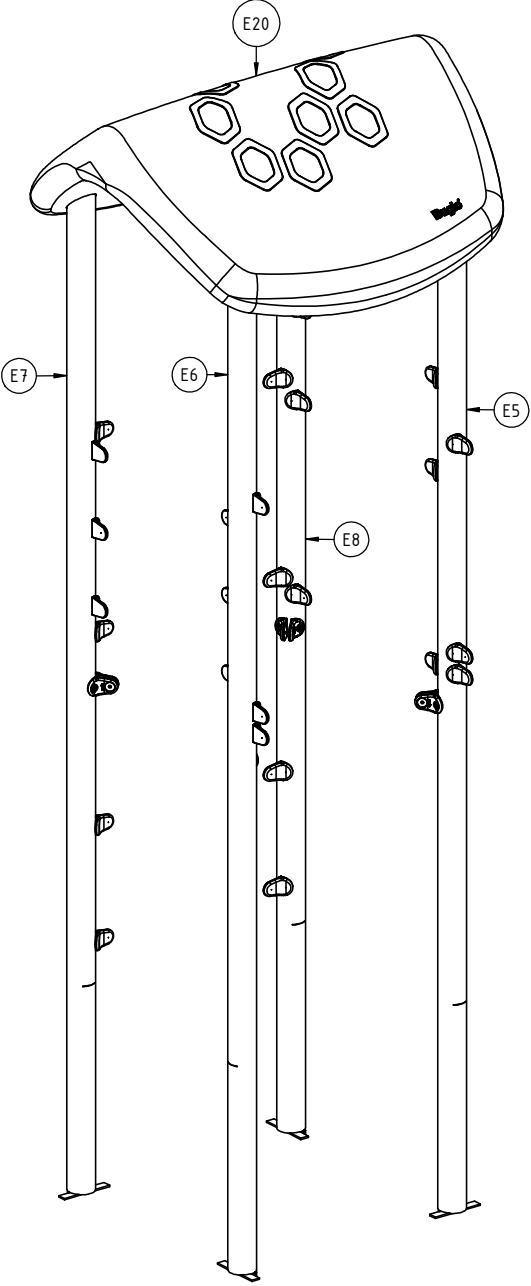


1

7116N  
7116F



INST\_71\_05

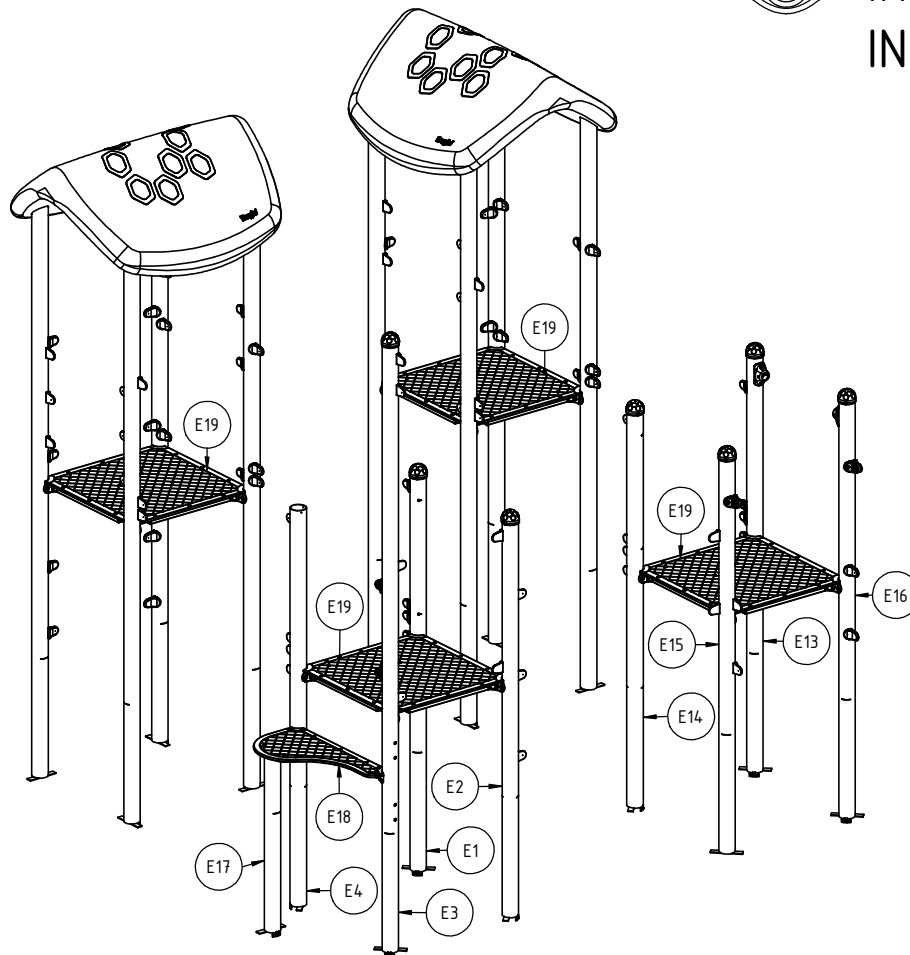


2

7116N  
7116F



INST\_71\_13  
INST\_71\_60

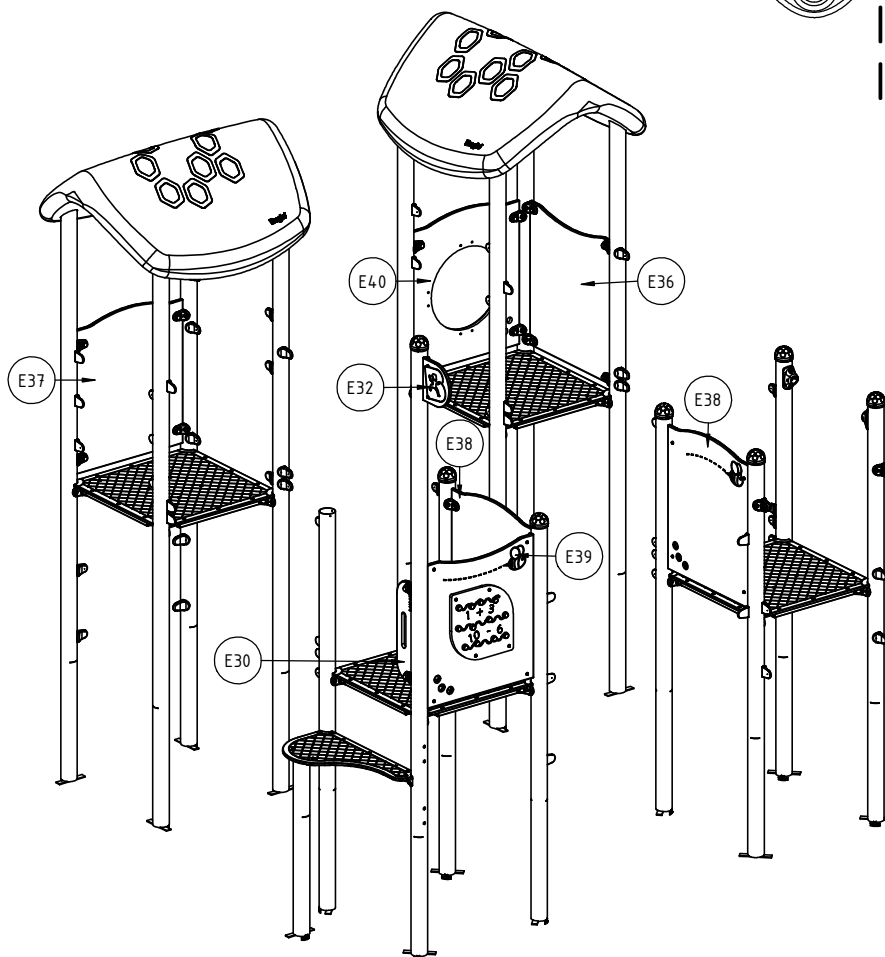


3

7116N  
7116F



INST\_71\_31  
INST\_71\_31A  
INST\_71\_31C

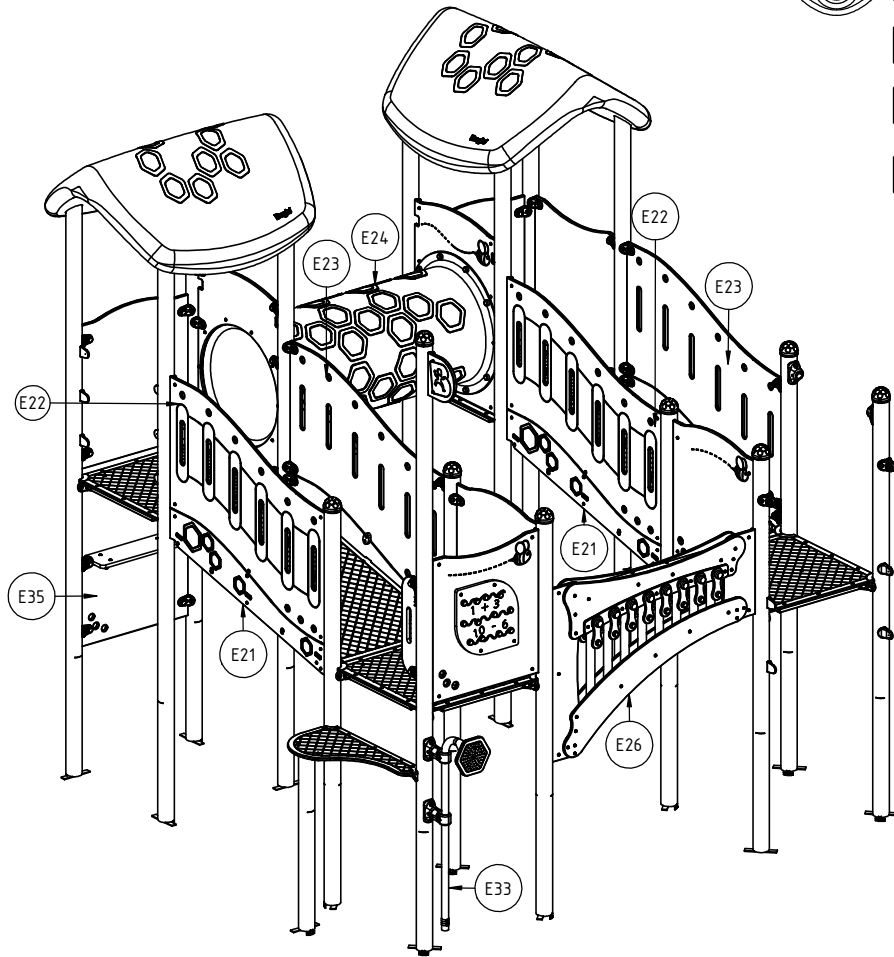


4

7116N  
7116F



INST\_71\_07  
INST\_71\_08  
INST\_71\_22  
INST\_71\_35

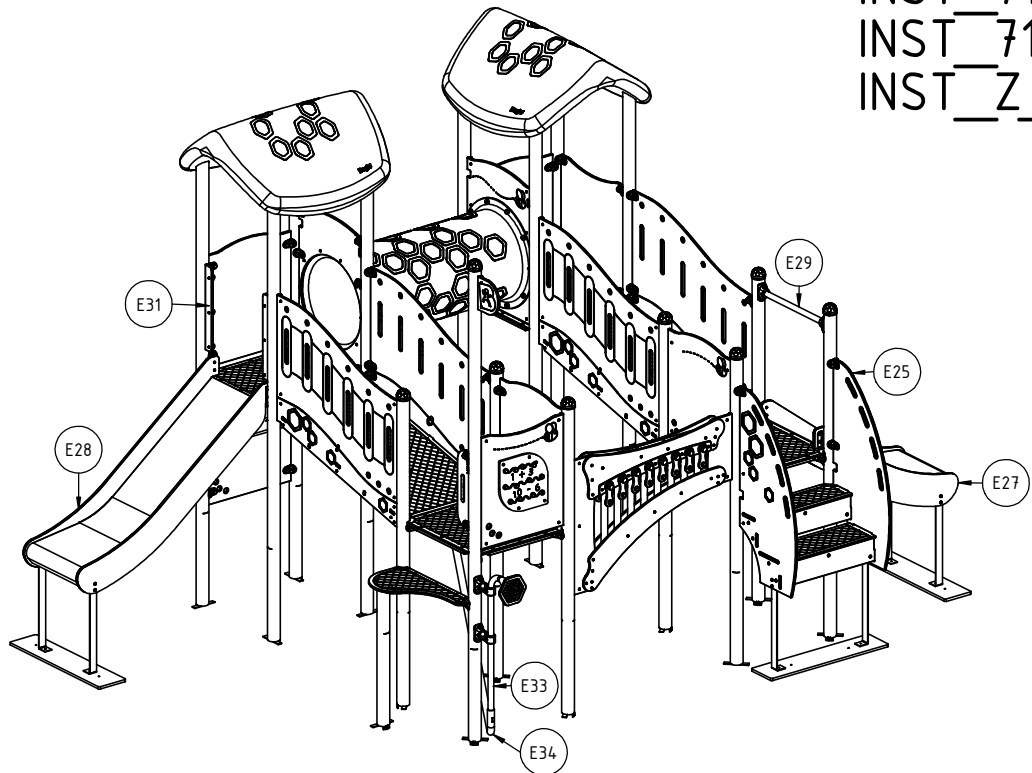


5

7116N  
7116F

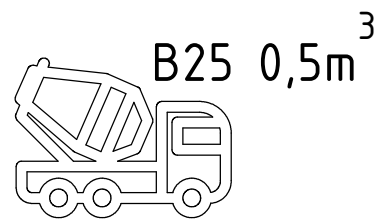
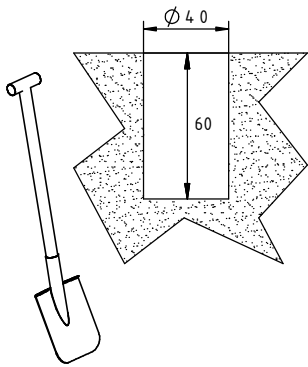
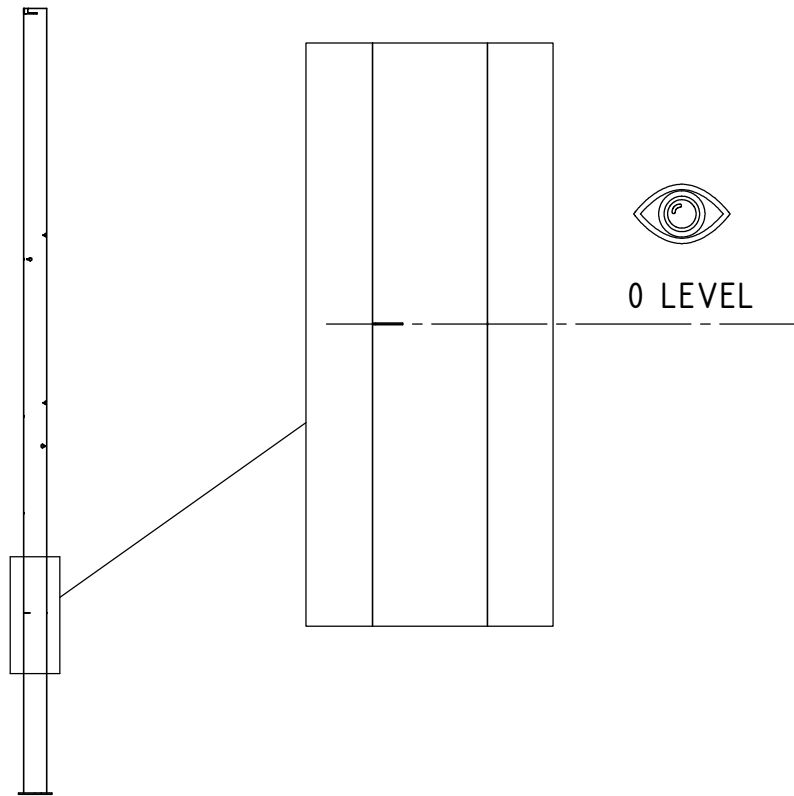


INST\_11\_133  
INST\_71\_26  
INST\_71\_34  
INST\_71\_50  
INST\_Z\_1

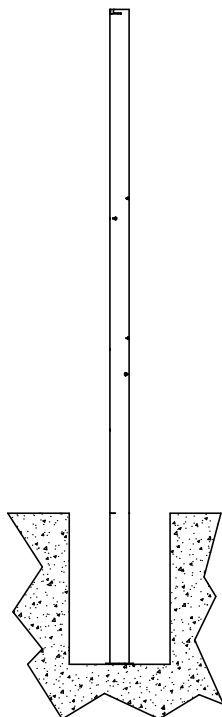


6

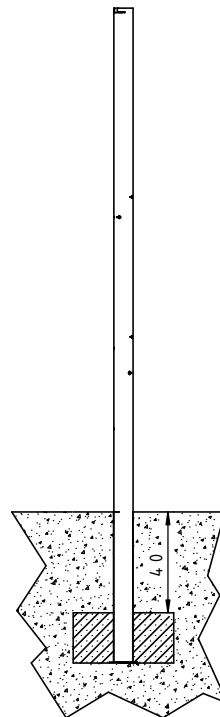
7116N



A




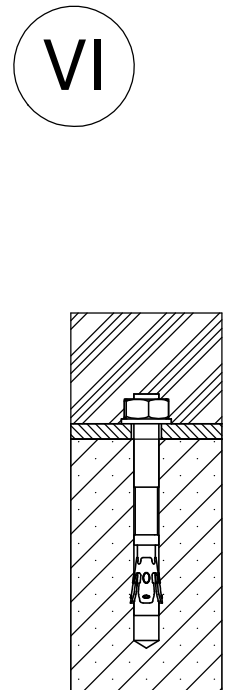
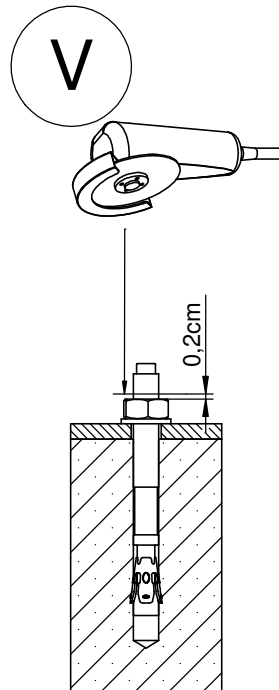
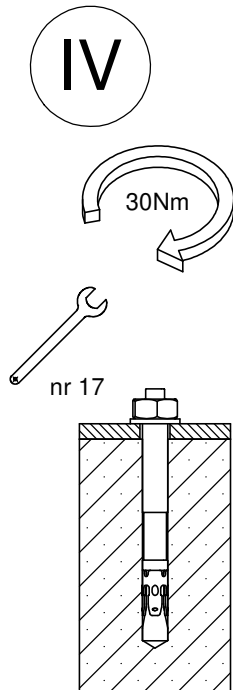
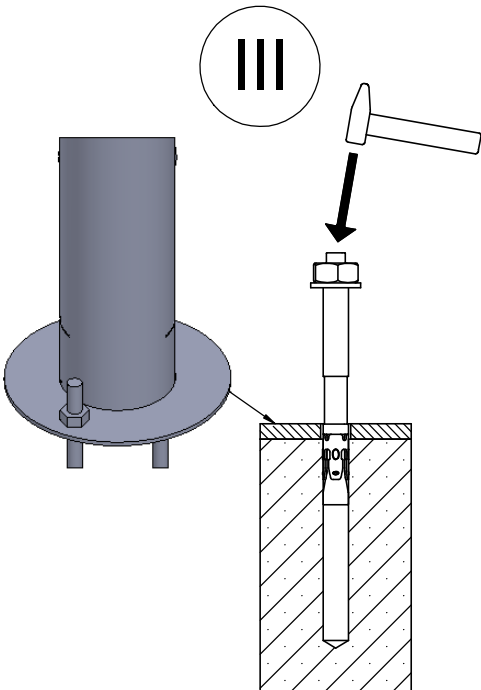
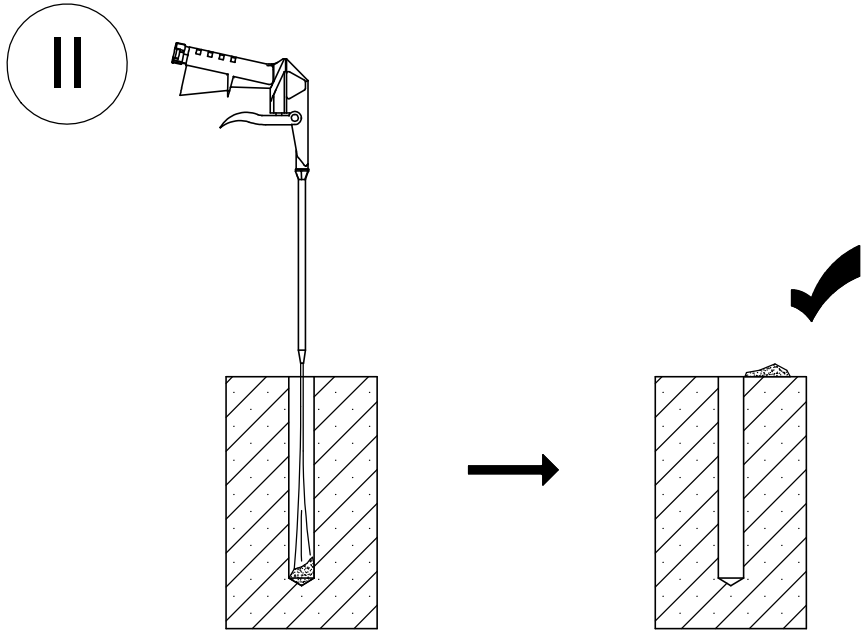
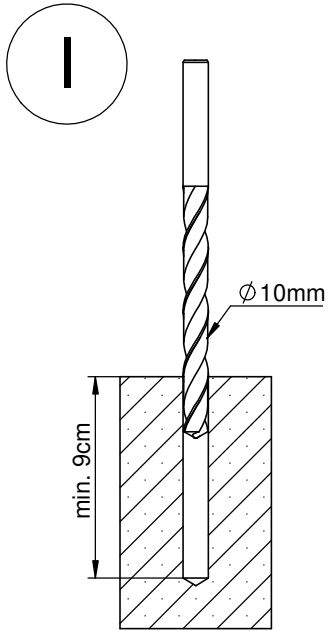
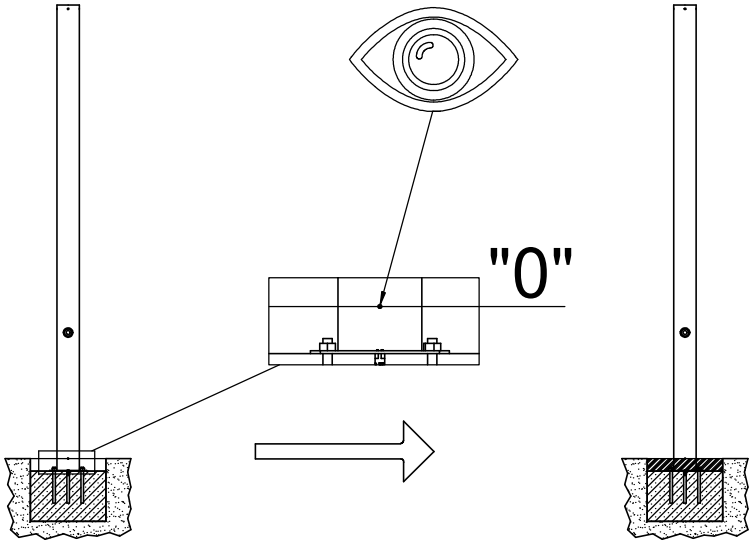
B




6

7116 F5

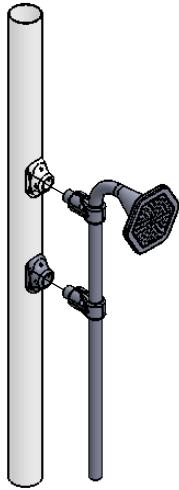
| Nr | Element   |   |            |
|----|---|---|------------|
| 61 |  | - | KL105 (OC) |



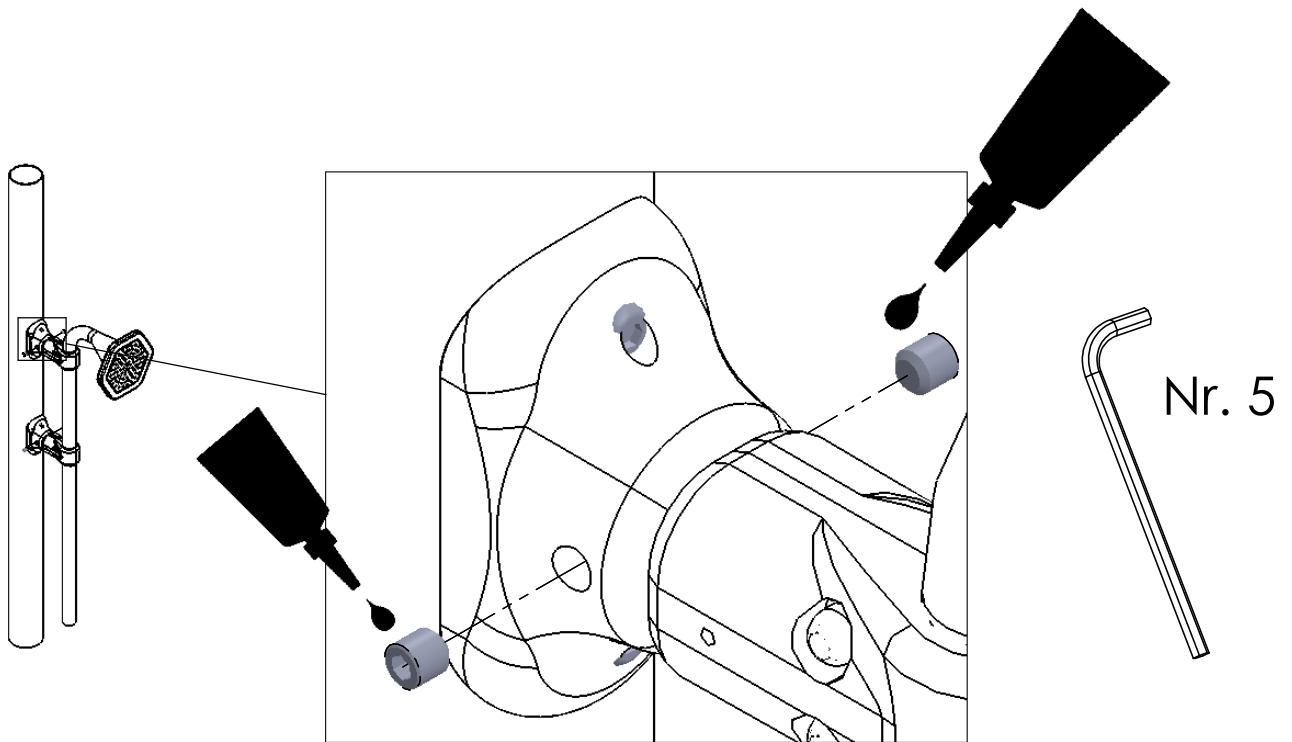
# INST\_11\_133

| Nr | Σ | Element   | DIN      | ELEMENT |
|----|---|---|----------|---------|
| 47 | 2 |  | DIN 3017 | Ø 33,7  |

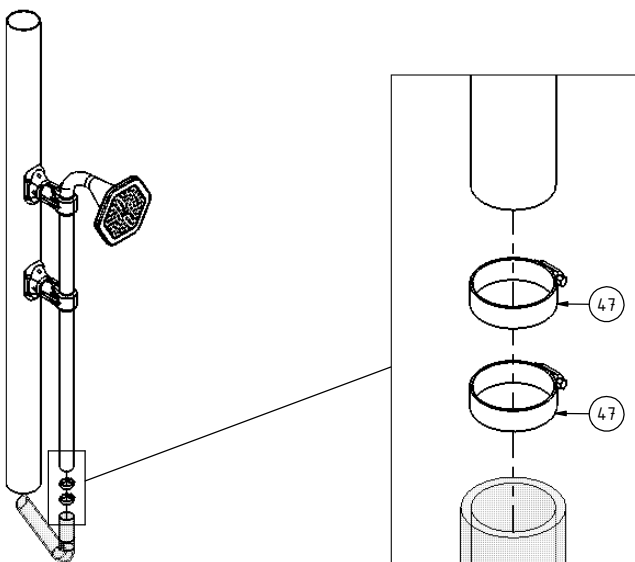
1



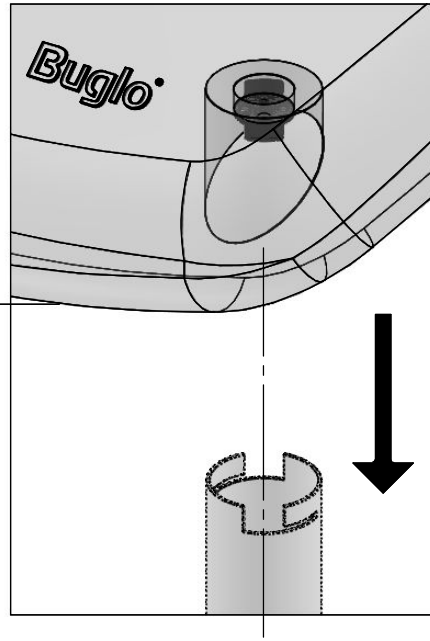
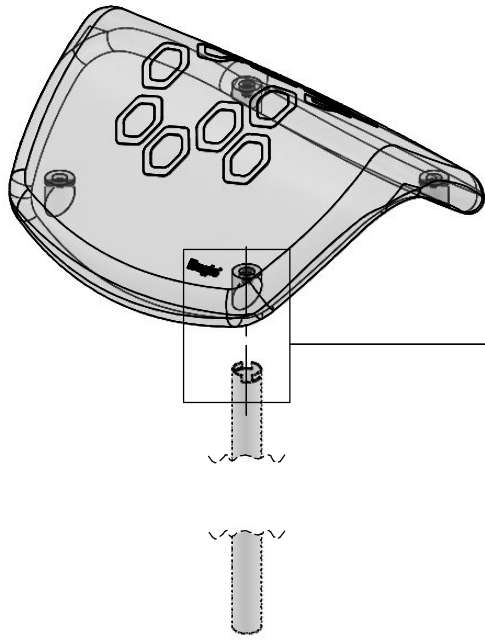
2



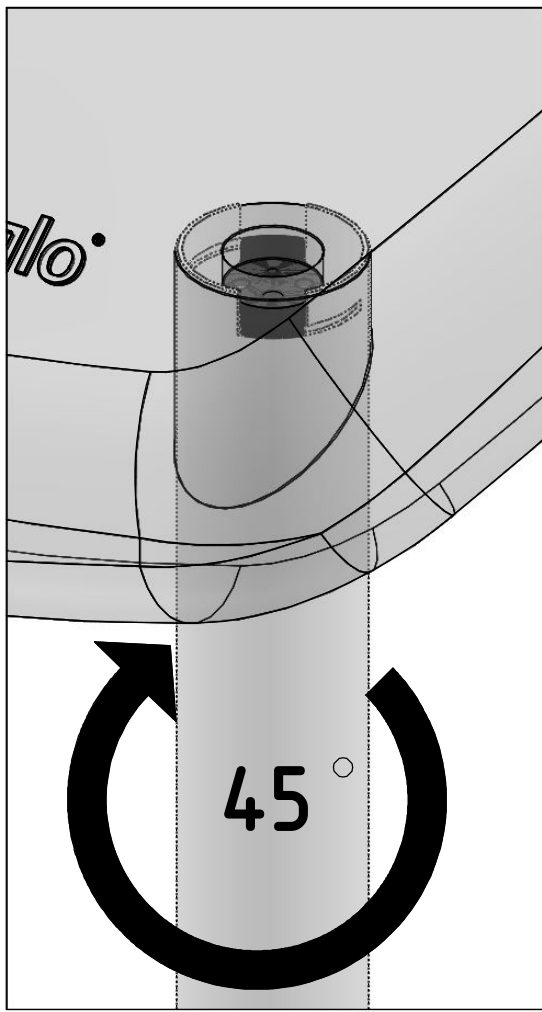
3



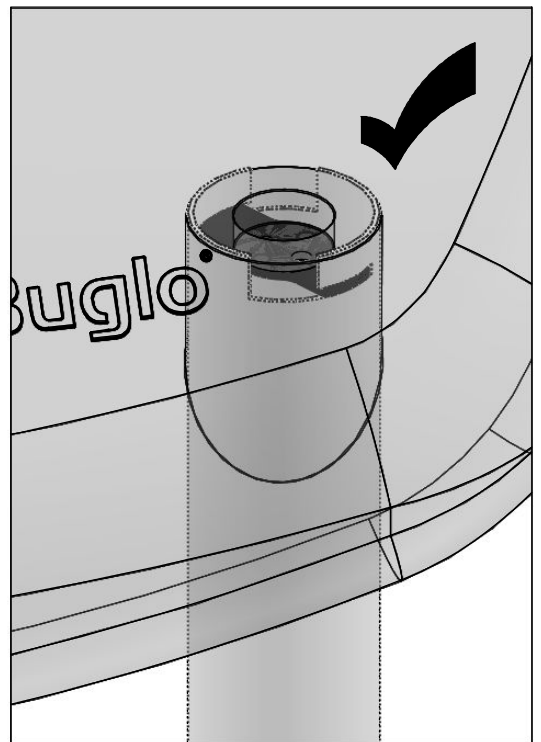
1




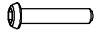
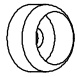
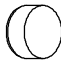


2

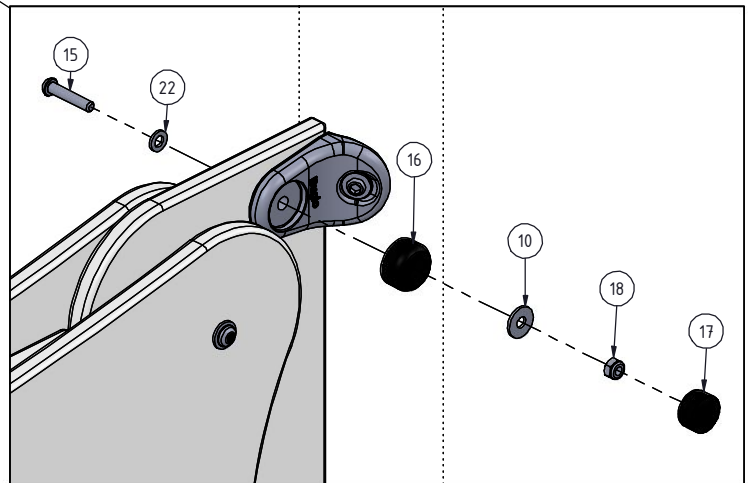
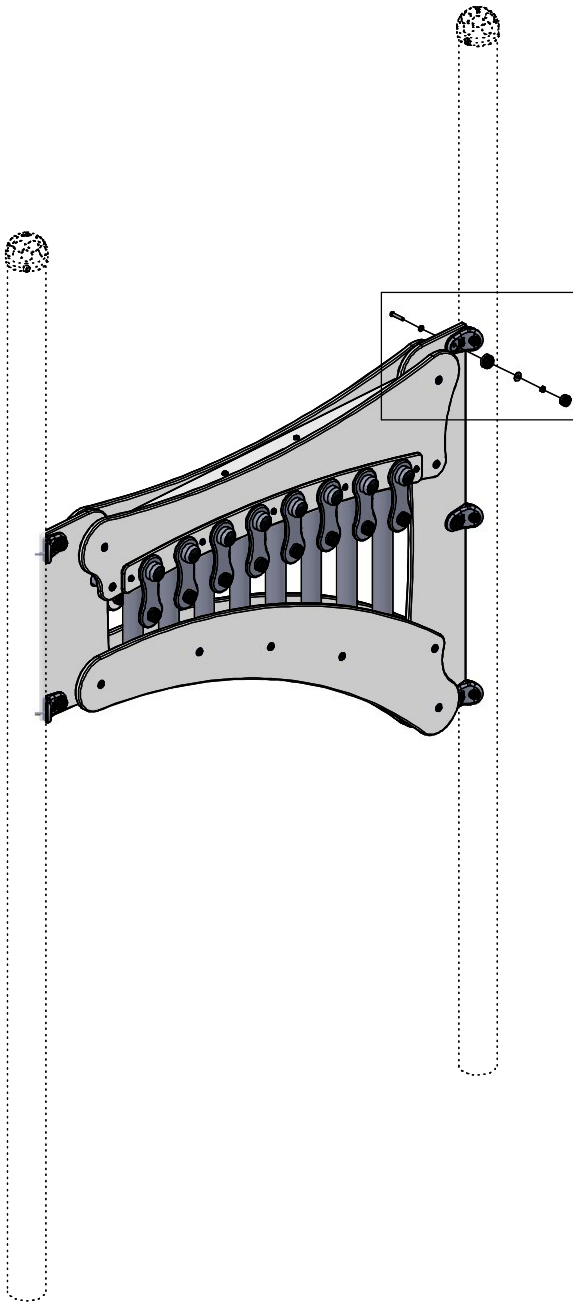



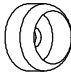
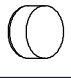



3

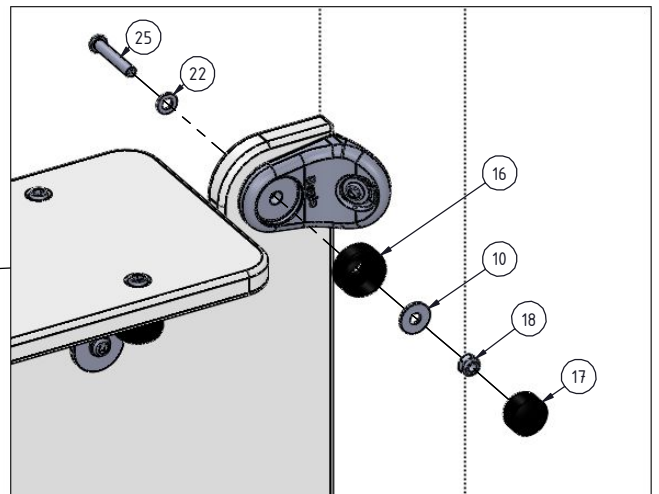
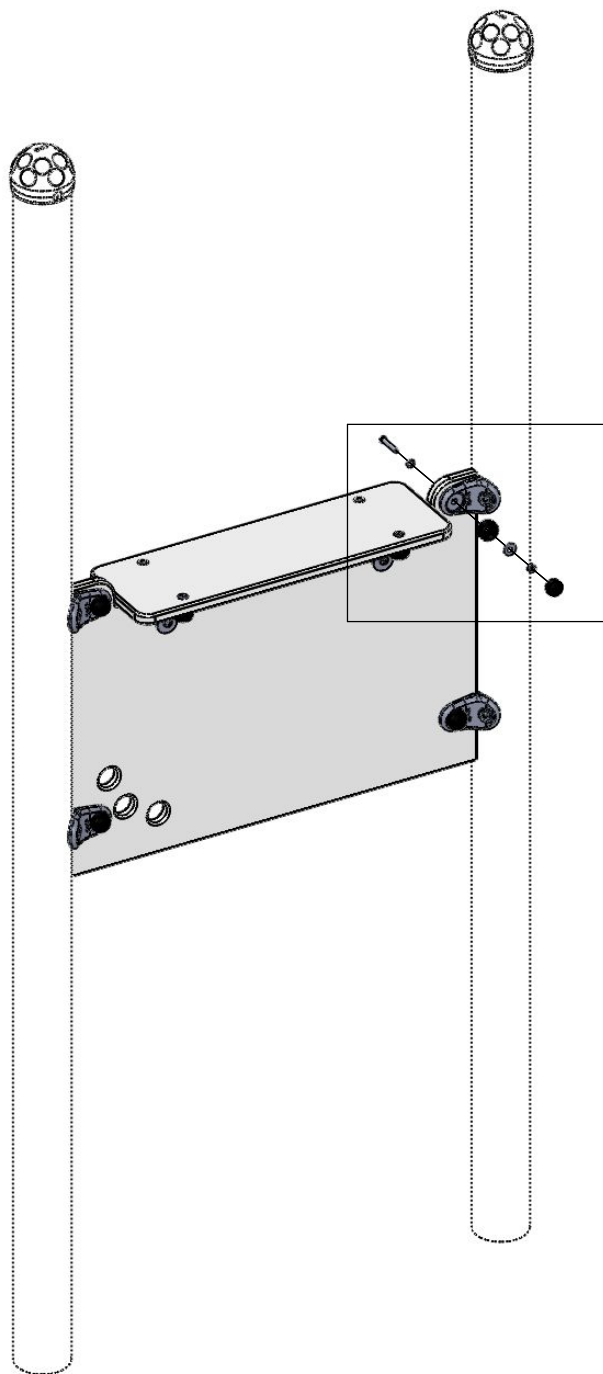


INST\_71\_07

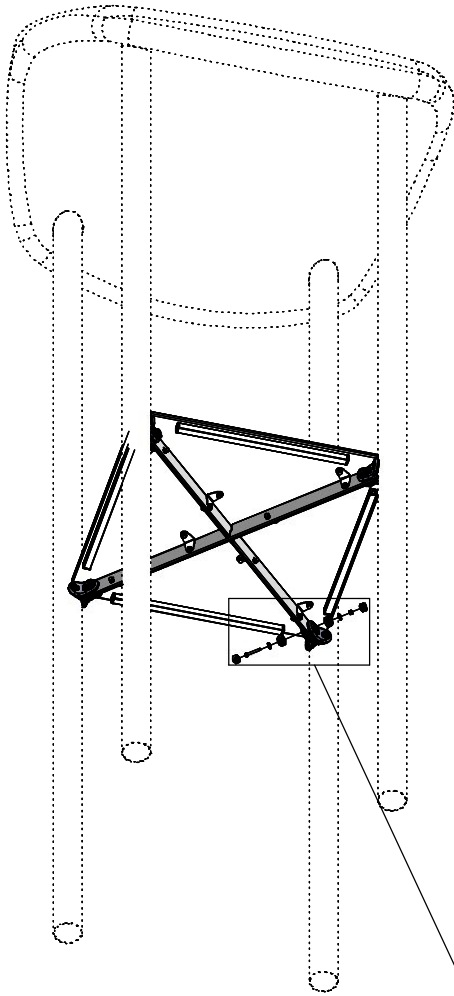
| Nr | Σ | Element   |          |          |
|----|---|---|----------|----------|
| 10 | 5 |  | DIN 9021 | 6x18     |
| 15 | 5 |  | ISO 7380 | M6x30    |
| 16 | 5 |  | -        | K1_d21_B |
| 17 | 5 |  | -        | Z1_d21_B |
| 18 | 5 |  | DIN 985  | M6       |
| 22 | 5 |  | DIN 125  | 6x12     |



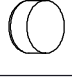

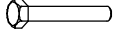


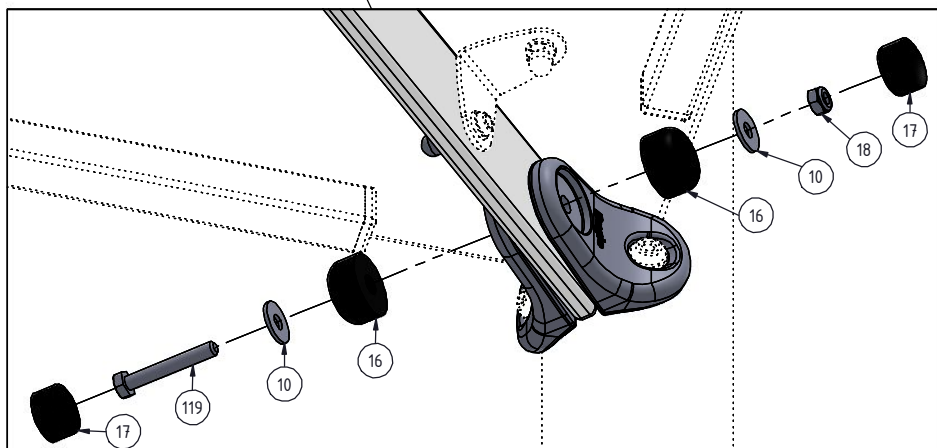
| Nr | Σ | Element   |          |          |
|----|---|---|----------|----------|
| 10 | 4 |  | DIN 9021 | 6x18     |
| 16 | 4 |  | -        | K1_d21_B |
| 17 | 4 |  | -        | Z1_d21_B |
| 18 | 4 |  | DIN 985  | M6       |
| 22 | 4 |  | DIN 125  | 6x12     |
| 25 | 4 |  | ISO 7380 | M6x35    |



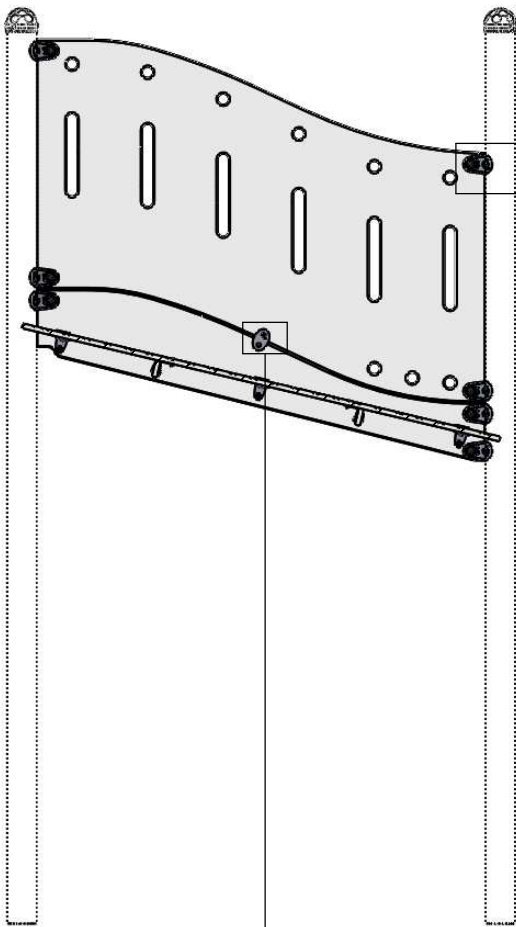
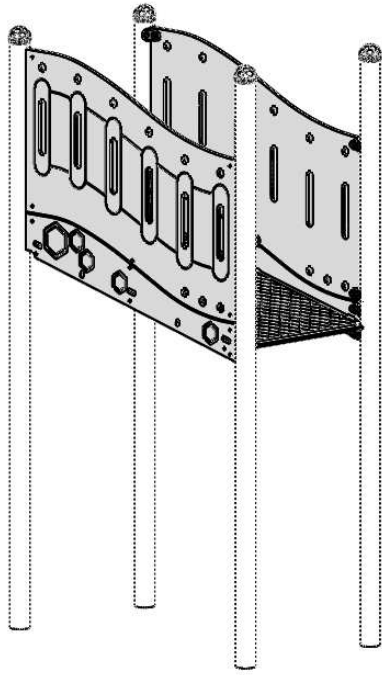
# INST\_71\_13


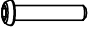







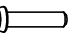


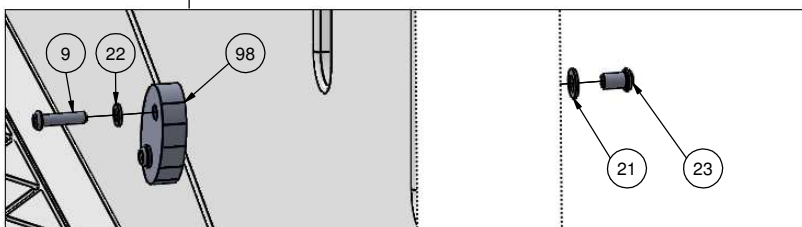
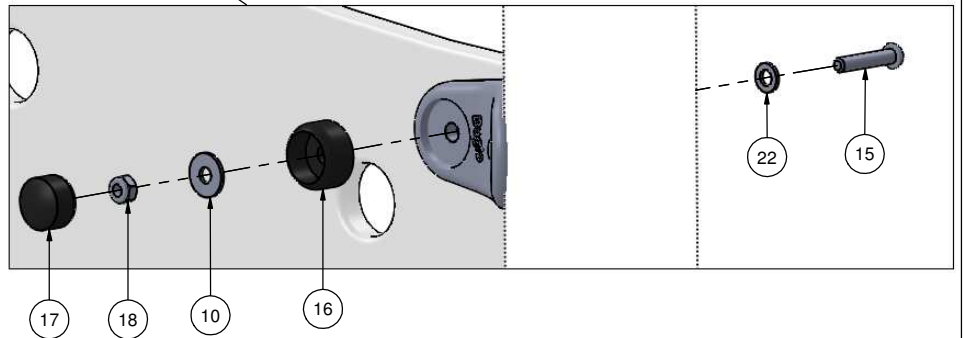
| Nr  | Σ | Element   |          |          |
|-----|---|---|----------|----------|
| 10  | 8 |  | DIN 9021 | 6x18     |
| 16  | 8 |  | -        | K1_d21_B |
| 17  | 8 |  | -        | Z1_d21_B |
| 18  | 4 |  | DIN 985  | M6       |
| 119 | 4 |  | DIN 933  | M6x40    |




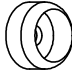



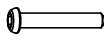
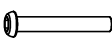
# INST\_71\_22

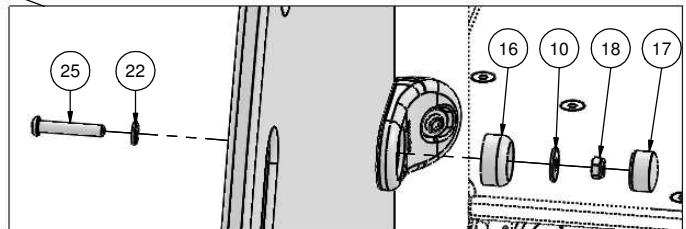
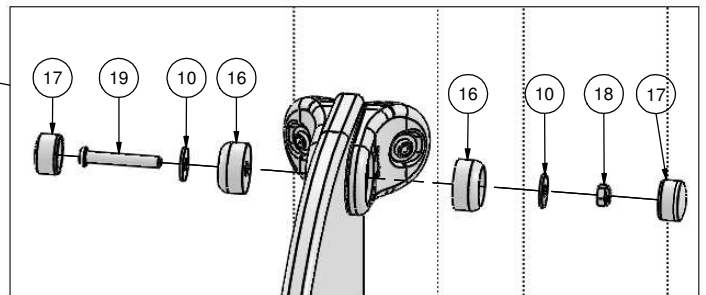
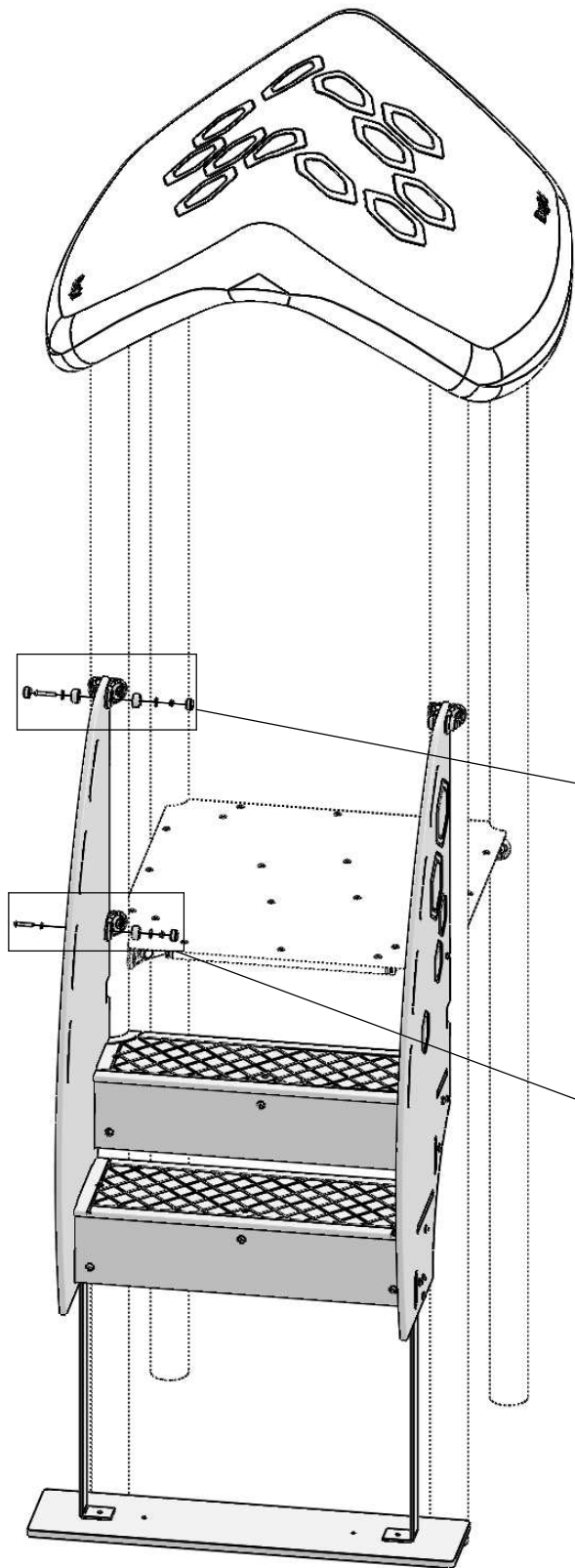


| Nr | Σ  | Element   |          |                   |
|----|----|---|----------|-------------------|
| 10 | 14 |    | DIN 9021 | 6x18              |
| 15 | 14 |    | ISO 7380 | M6x30             |
| 16 | 14 |    | -        | K1_d21_B          |
| 17 | 14 |    | -        | Z1_d21_B          |
| 18 | 14 |    | DIN 985  | M6                |
| 22 | 18 |    | DIN 125  | 6x12              |
| 21 | 4  |    | DIN 125  | 8x16              |
| 23 | 4  |    | -        | M6x12             |
| 98 | 2  |    | -        | F20X_44_HP_g13_v1 |
| 9  | 4  |  | ISO 7380 | M6x25             |





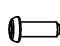
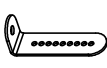


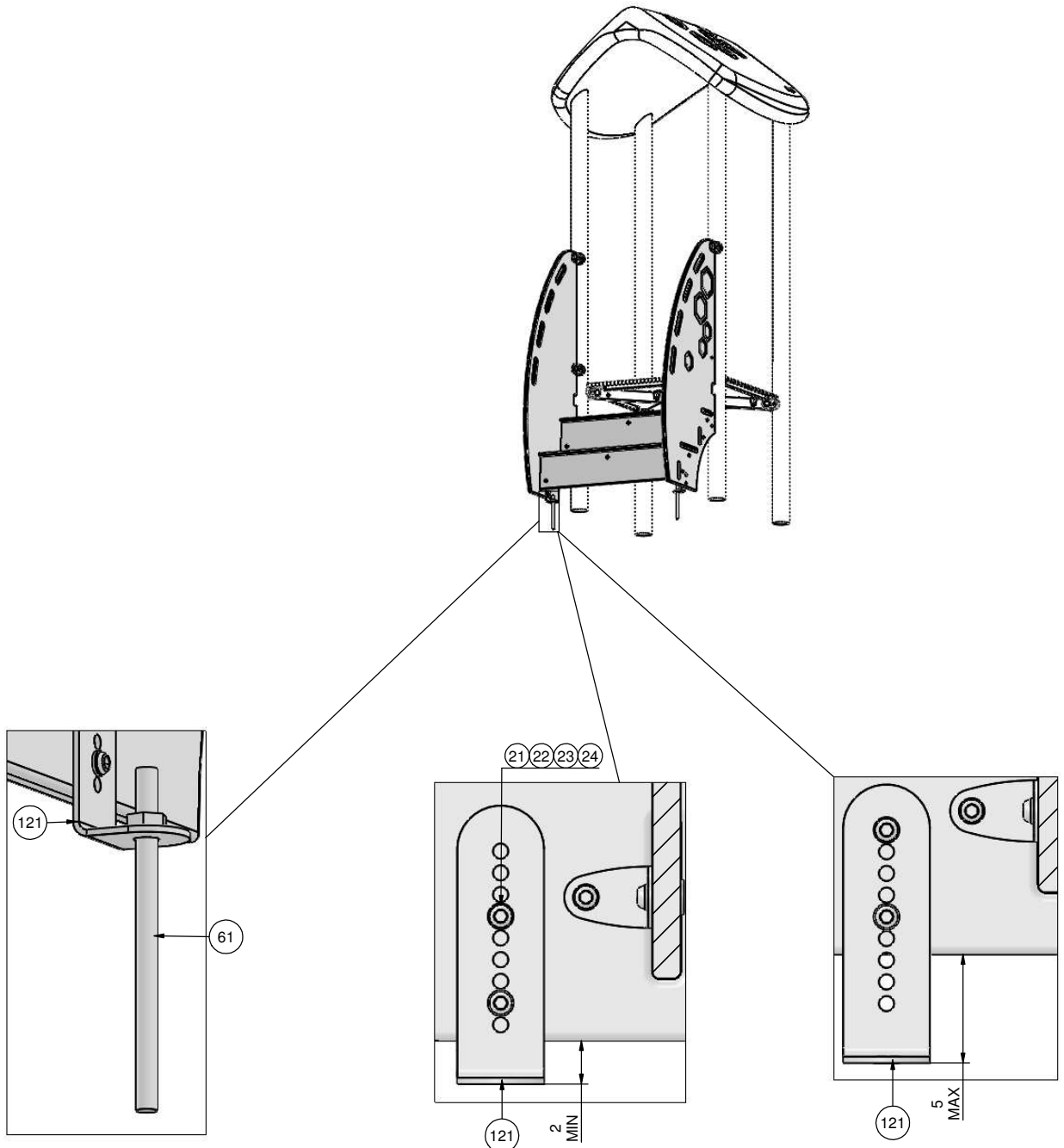
# INST\_71\_26

| Nr | Σ | Element   |          |          |
|----|---|---|----------|----------|
| 10 | 8 |  | DIN 9021 | 6x18     |
| 16 | 8 |  | -        | K1_d21_B |
| 17 | 8 |  | -        | Z1_d21_B |
| 18 | 6 |  | DIN 985  | M6       |
| 22 | 4 |  | DIN 125  | 6x12     |
| 25 | 4 |  | ISO 7380 | M6x35    |
| 19 | 2 |  | ISO 7380 | M6x40    |

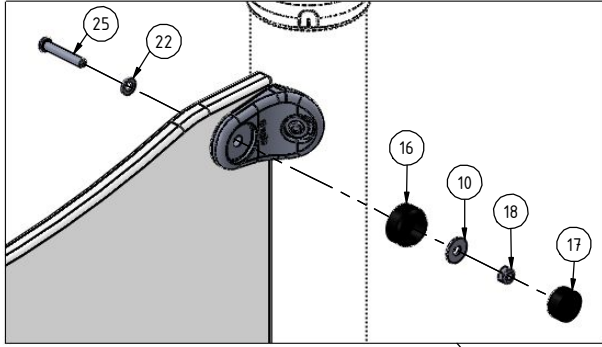



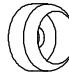



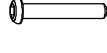
**F**

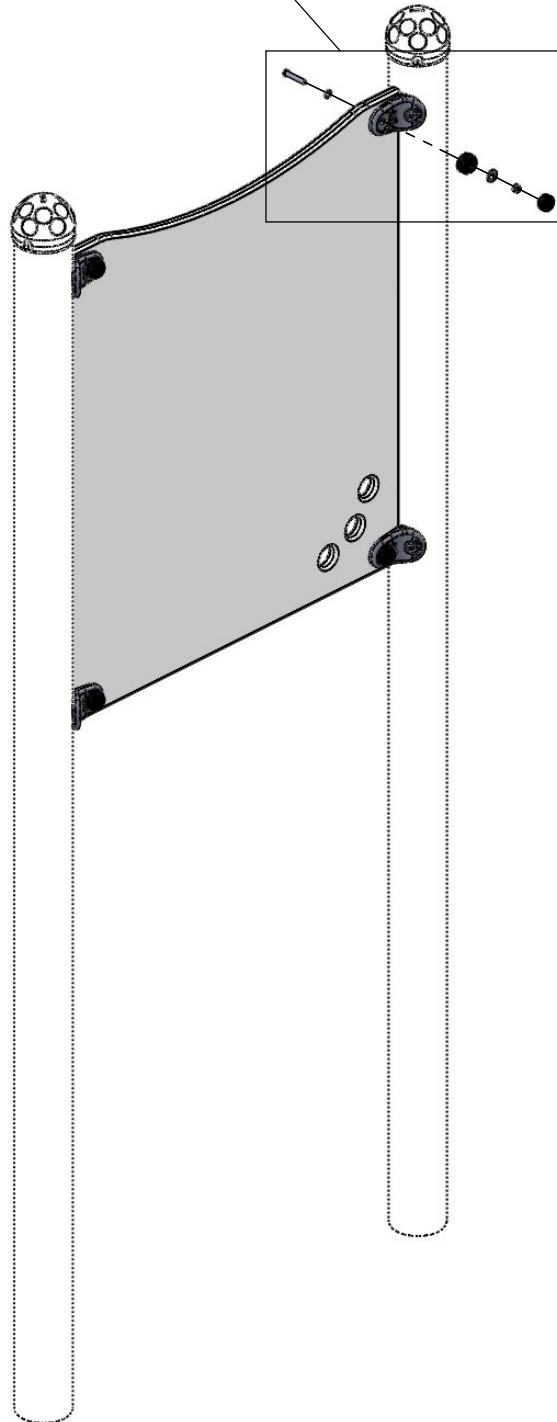
| Nr  | $\Sigma$ | Element   |          |                   |
|-----|----------|---|----------|-------------------|
| 61  | 2        |  | -        | KL105             |
| 21  | 4        |  | DIN 125  | 8x16              |
| 22  | 4        |  | DIN 125  | 6x12              |
| 23  | 4        |  | -        | M6x12             |
| 24  | 4        |  | ISO 7380 | M6x16             |
| 121 | 2        |  | -        | 7100_5_A2_g3_G_v1 |





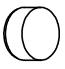

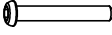
# INST\_71\_31

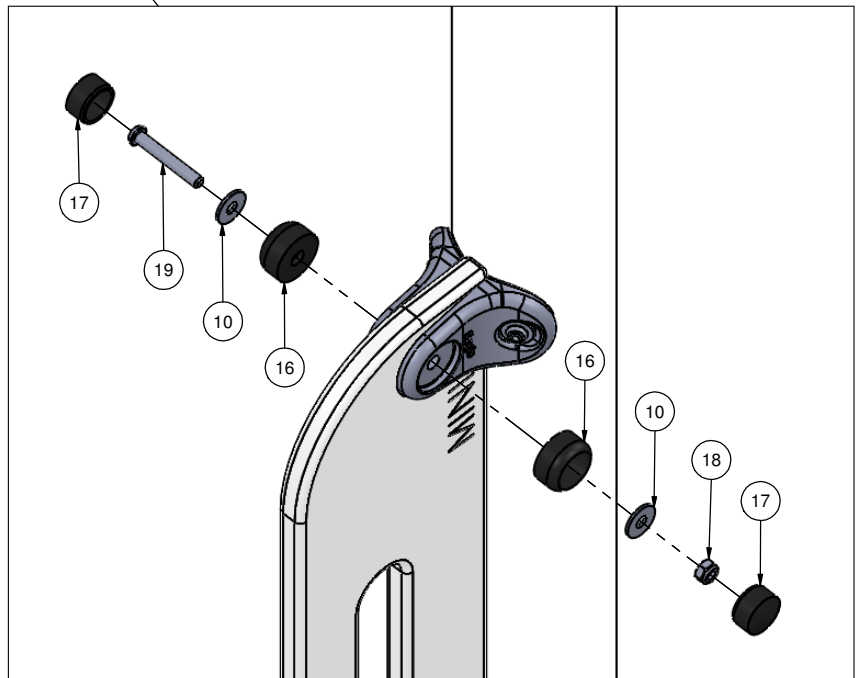
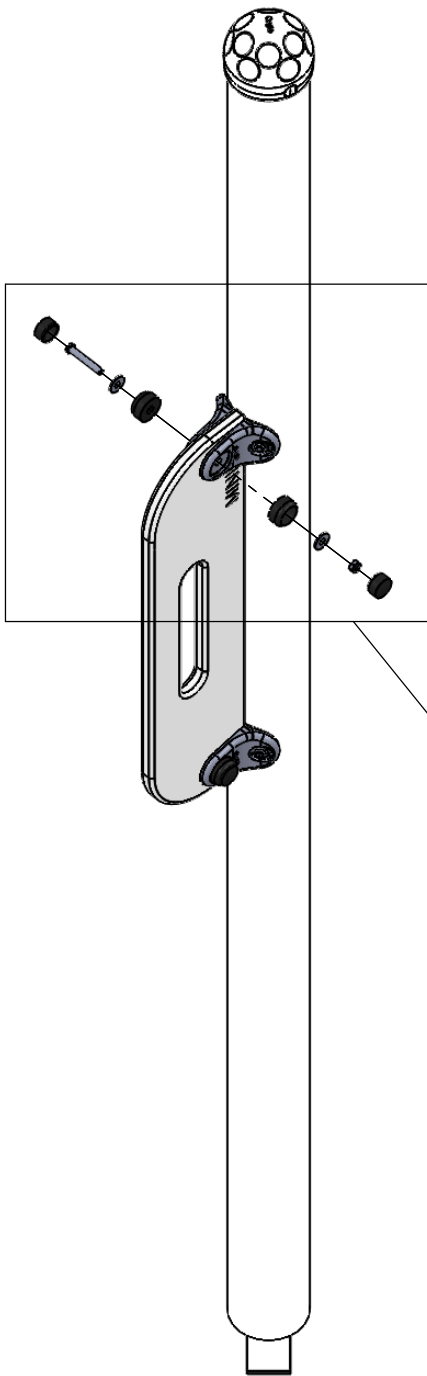


| Nr | Σ | Element   |          |          |
|----|---|---|----------|----------|
| 10 | 4 |  | DIN 9021 | 6x18     |
| 16 | 4 |  | -        | K1_d21_B |
| 17 | 4 |  | -        | Z1_d21_B |
| 18 | 4 |  | DIN 985  | M6       |
| 22 | 4 |  | DIN 125  | 6x12     |
| 25 | 4 |  | ISO 7380 | M6x35    |



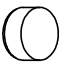





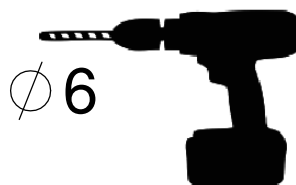
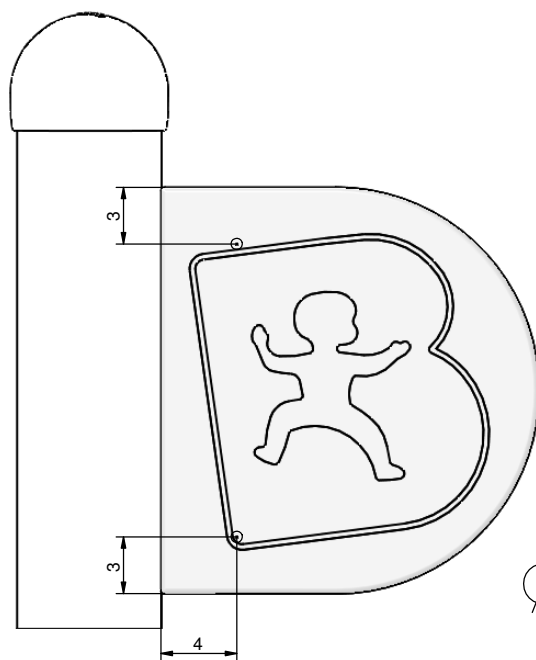
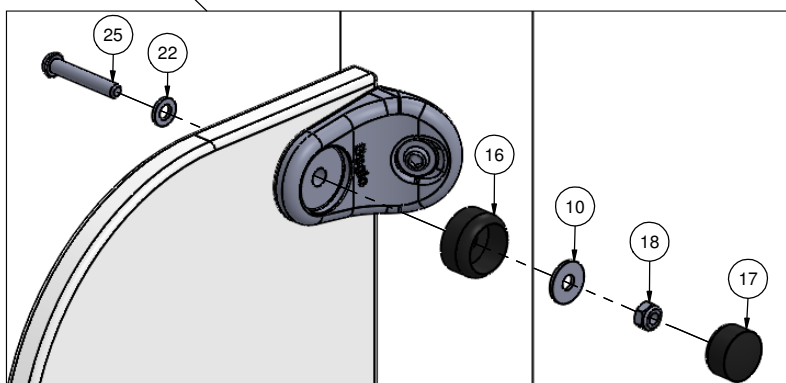
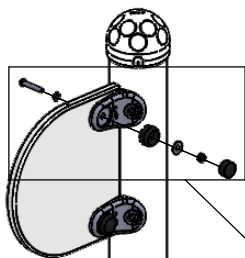
INST\_71\_31A




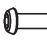
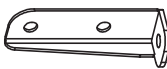
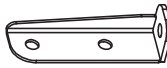
| Nr | Σ | Element   | DIN      | ELEMENT  |
|----|---|---|----------|----------|
| 10 | 4 |  | DIN 9021 | 6x18     |
| 16 | 4 |  | -        | K1_d21_B |
| 17 | 4 |  | -        | Z1_d21_B |
| 18 | 2 |  | DIN 985  | M6       |
| 19 | 2 |  | ISO 7380 | M6x40    |

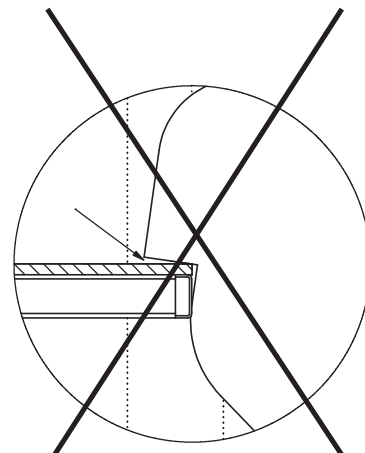
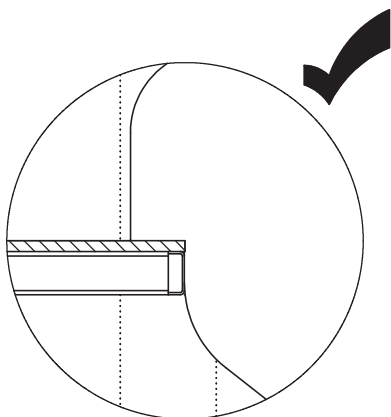
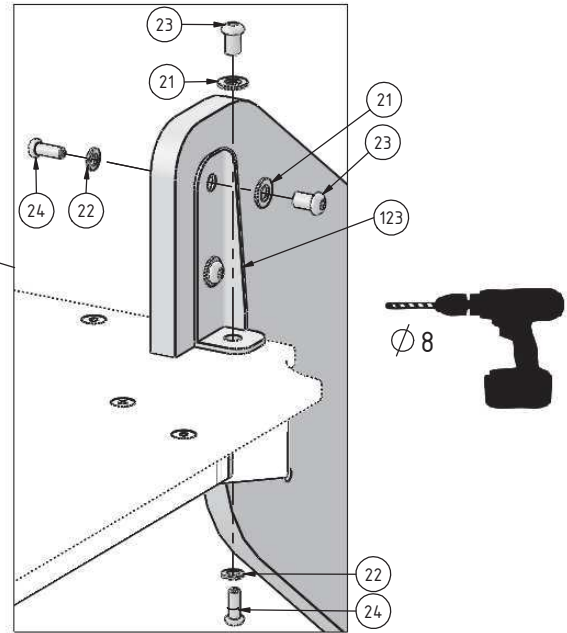
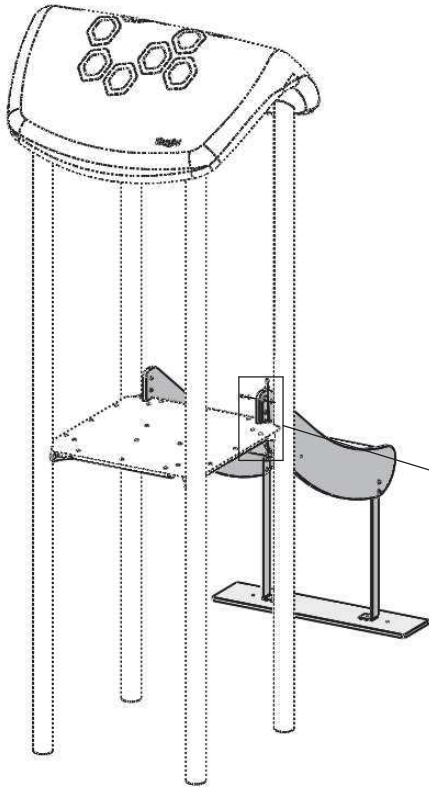


INST\_71\_31C







| Nr | Σ | Element   | DIN      | ELEMENT  |
|----|---|---|----------|----------|
| 10 | 2 |  | DIN 9021 | 6x18     |
| 16 | 2 |  | -        | K1_d21_B |
| 17 | 2 |  | -        | Z1_d21_B |
| 18 | 2 |  | DIN 985  | M6       |
| 22 | 2 |  | DIN 125  | 6x12     |
| 25 | 2 |  | ISO 7380 | M6x35    |

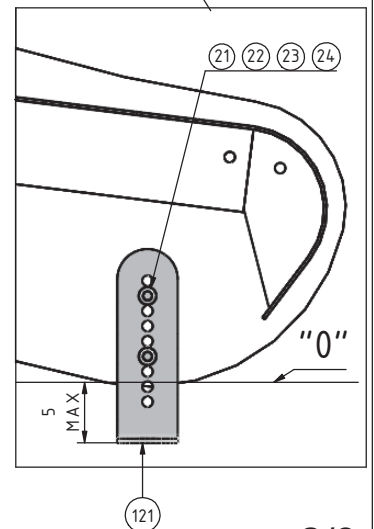
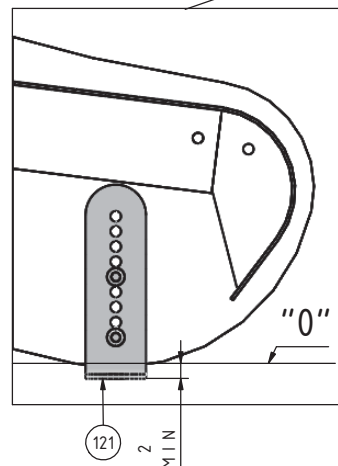
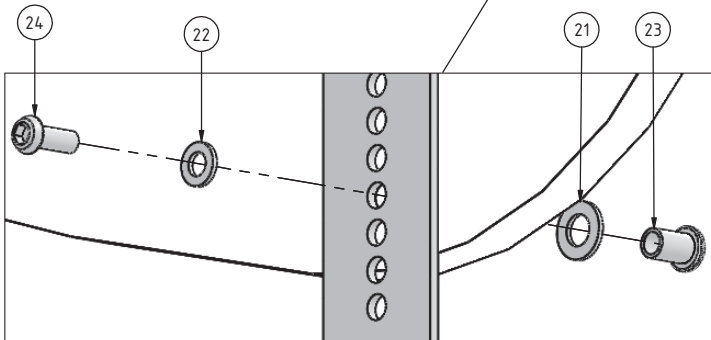
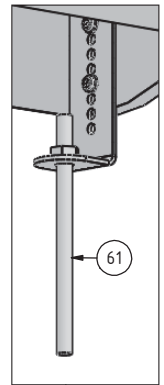
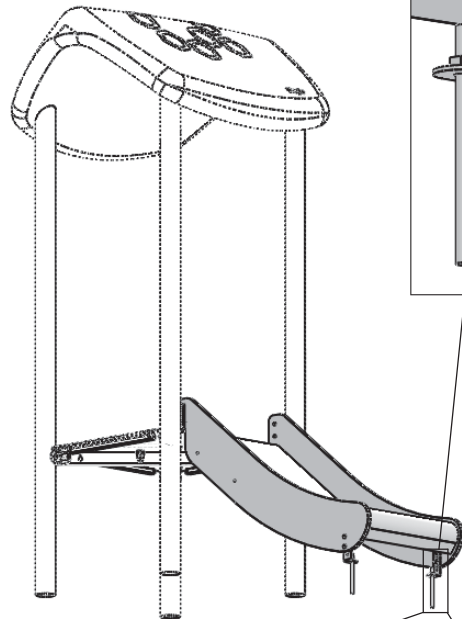
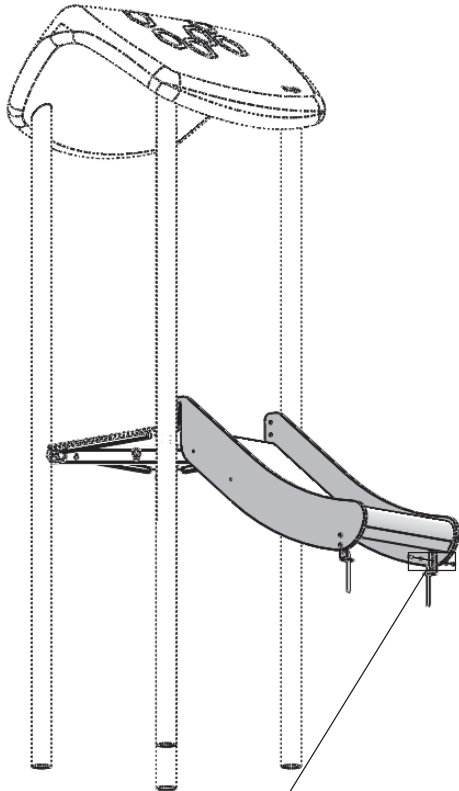


| Nr  | Σ | Element   |          |            |
|-----|---|---|----------|------------|
| 21  | 6 |  | DIN 125  | 8x16       |
| 22  | 6 |  | DIN 125  | 6x12       |
| 23  | 6 |  | -        | M6x12      |
| 24  | 6 |  | ISO 7380 | M6x16      |
| 122 | 1 |  | -        | FSL 7100 L |
| 123 | 1 |  | -        | FSL 7100 P |



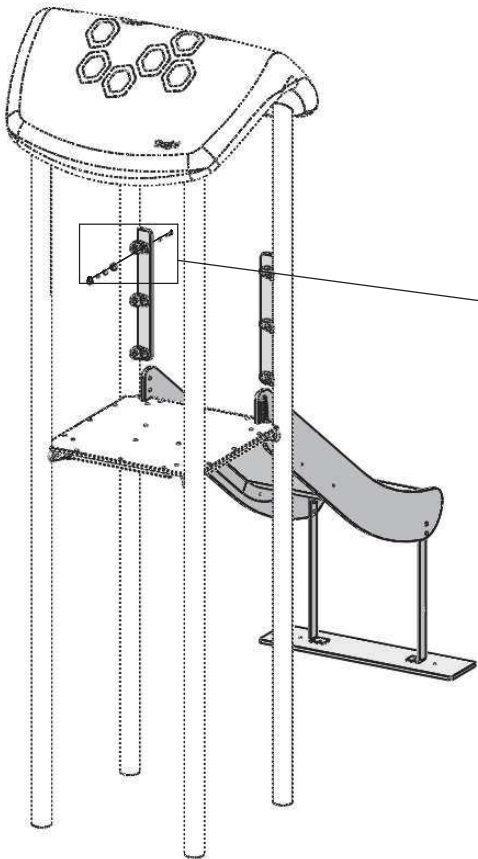
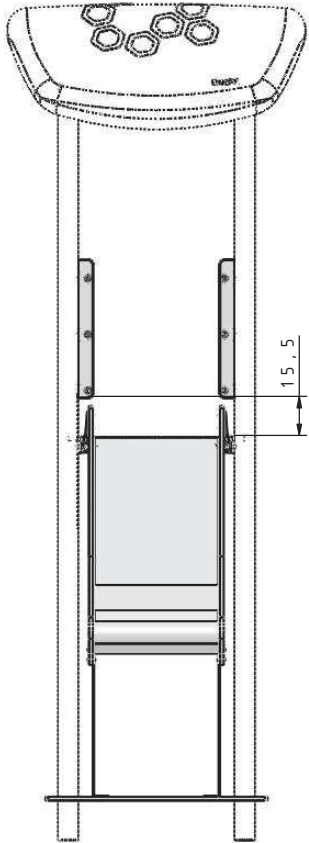
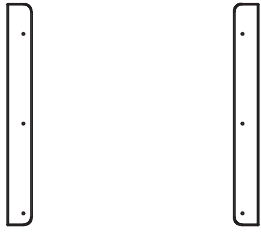
F

| Nr  | Σ | Element   |          |                   |
|-----|---|---|----------|-------------------|
| 21  | 4 |  | DIN 125  | 8x16              |
| 22  | 4 |  | DIN 125  | 6x12              |
| 23  | 4 |  | -        | M6x12             |
| 24  | 4 |  | ISO 7380 | M6x16             |
| 61  | 2 |  | -        | KL105             |
| 121 | 2 |  | -        | 7100_5_A2_g3_G_v1 |

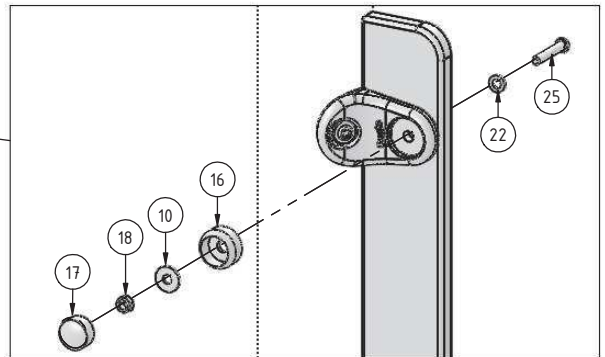


# \* INST\_71\_50

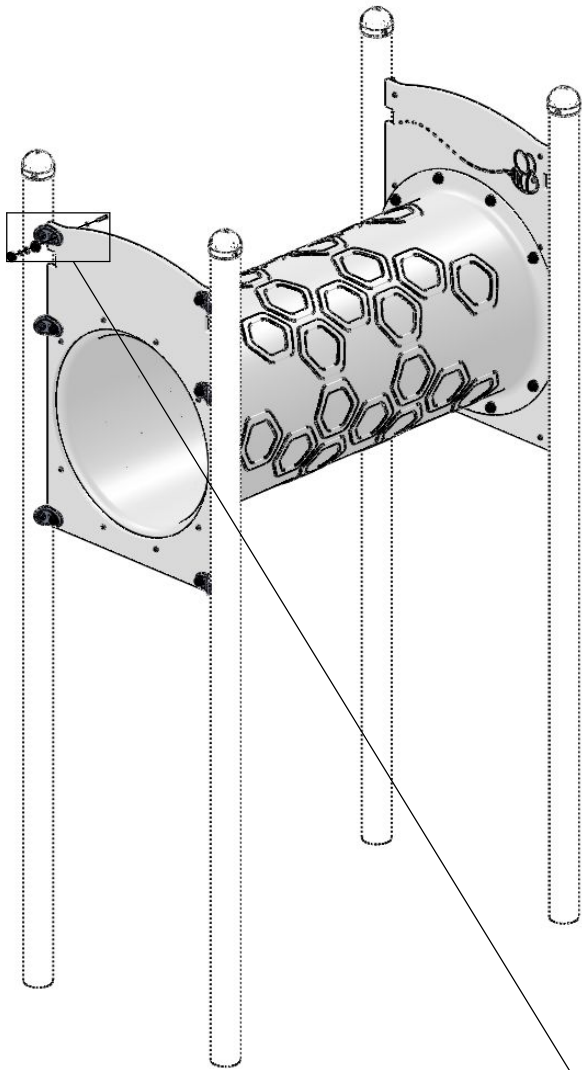
\*\*


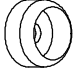



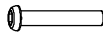


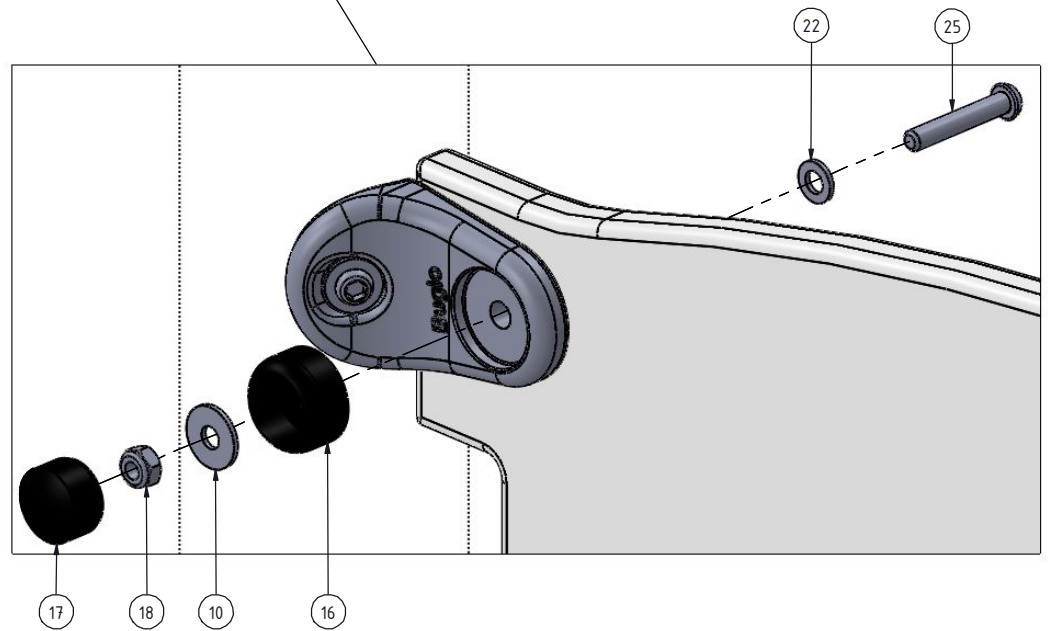
| Nr | Σ | Element |          |          |
|----|---|---------|----------|----------|
| 10 | 6 |         | DIN 9021 | 6x18     |
| 16 | 6 |         | -        | K1_d21_B |
| 17 | 6 |         | -        | Z1_d21_B |
| 18 | 6 |         | DIN 985  | M6       |
| 22 | 6 |         | DIN 125  | 6x12     |
| 25 | 6 |         | ISO 7380 | M6x35    |




INST\_71\_35



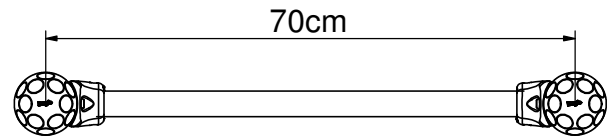
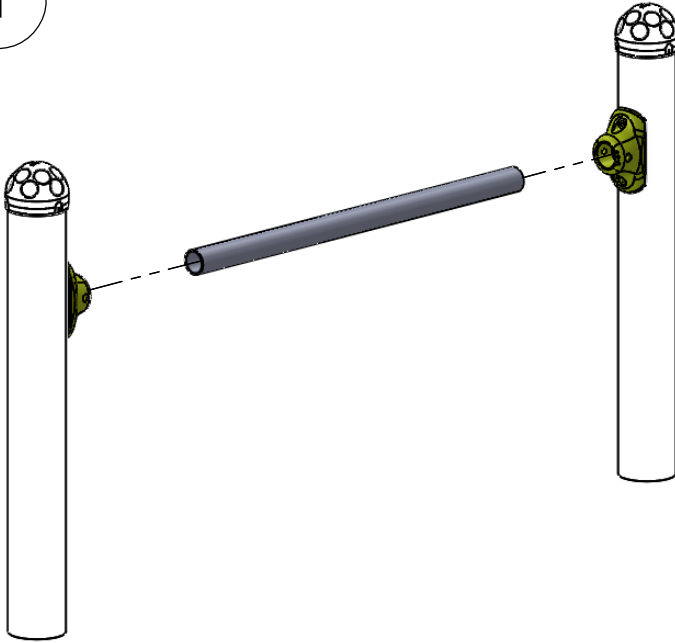
| Nr | Σ  | Element   |          |          |
|----|----|---|----------|----------|
| 10 | 12 |  | DIN 9021 | 6x18     |
| 16 | 12 |  | -        | K1_d21_B |
| 17 | 12 |  | -        | Z1_d21_B |
| 18 | 12 |  | DIN 985  | M6       |
| 22 | 12 |  | DIN 125  | 6x12     |
| 25 | 12 |  | ISO 7380 | M6x35    |



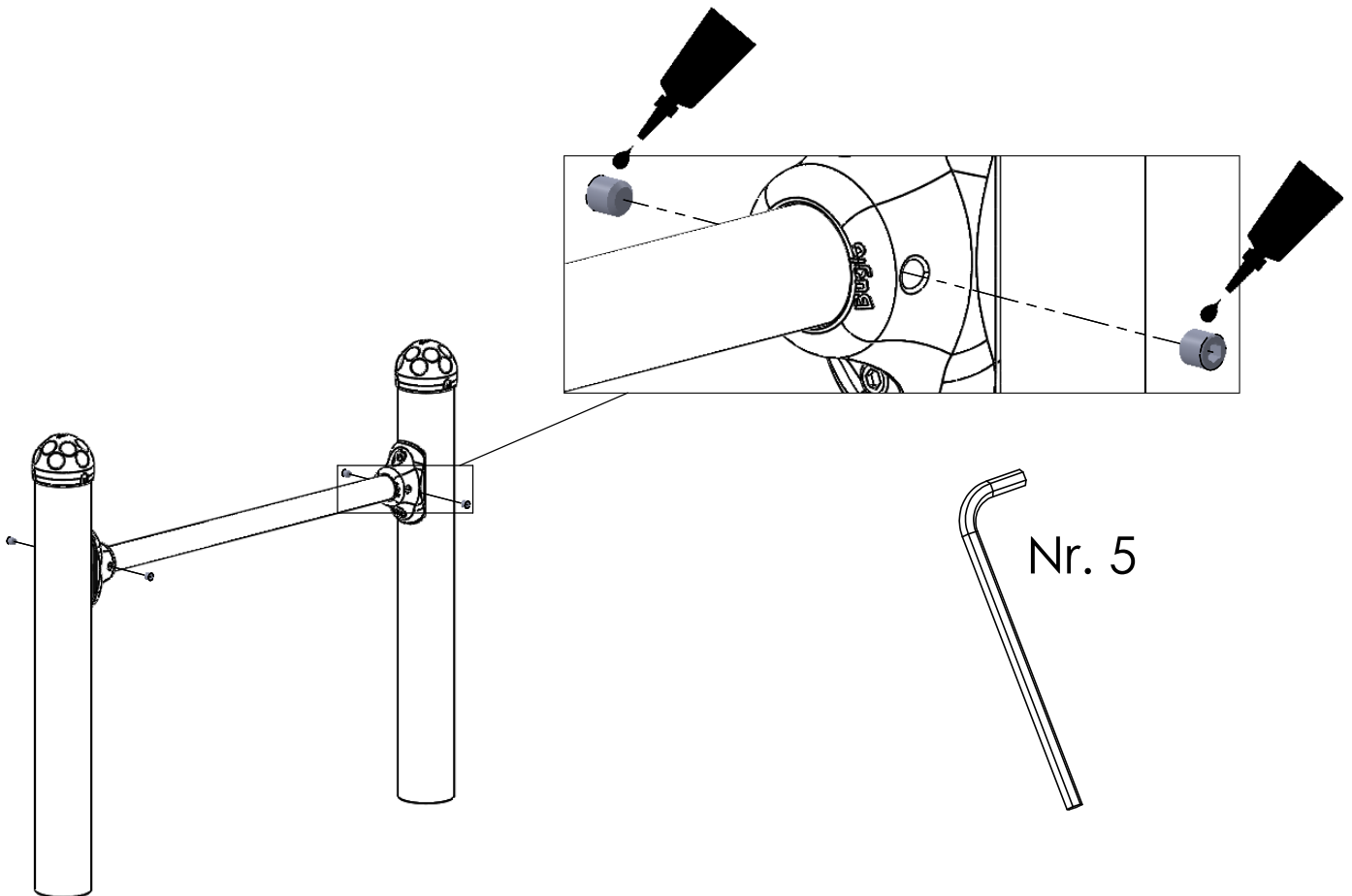
# INST\_71\_50

| Nr | $\Sigma$ | Element   | DIN | ELEMENT |
|----|----------|---|-----|---------|
| 58 | 1        |  | -   | LOCTITE |

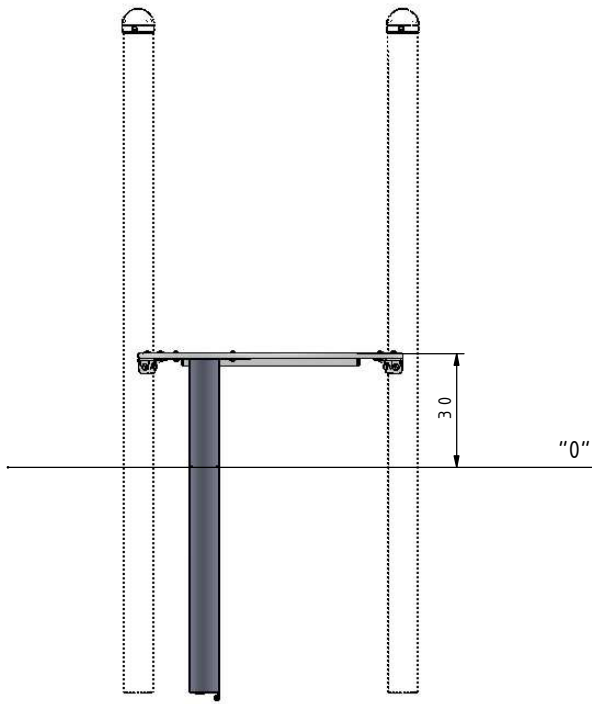
1



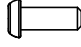




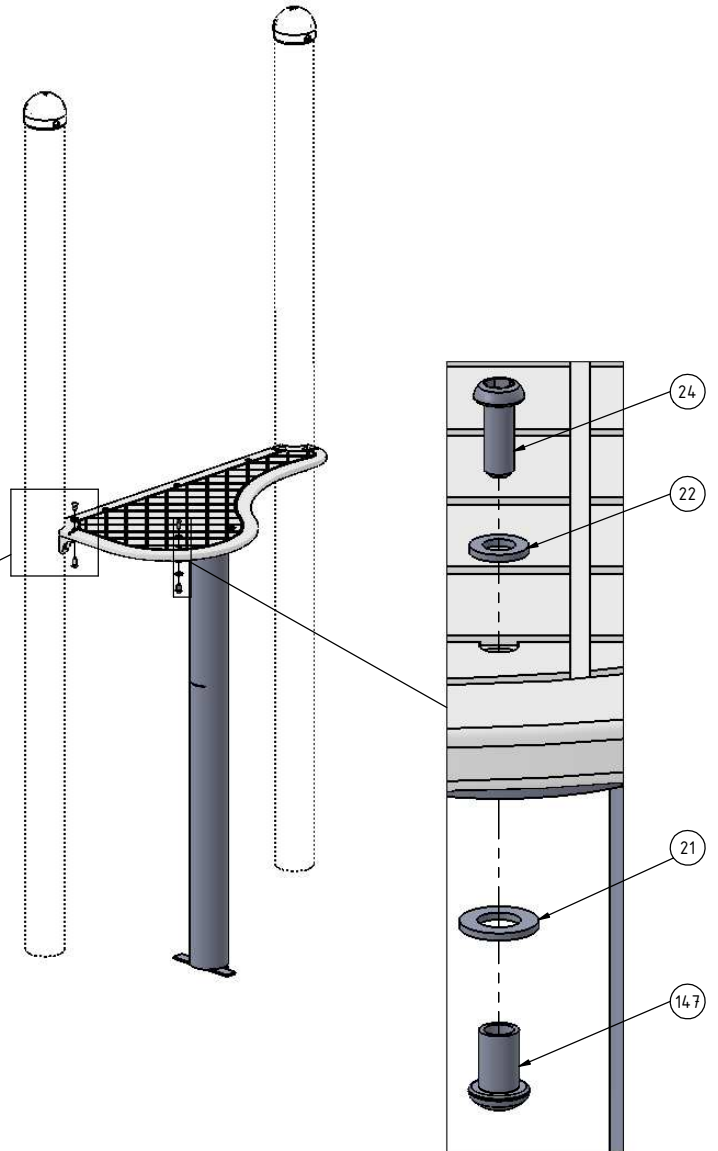
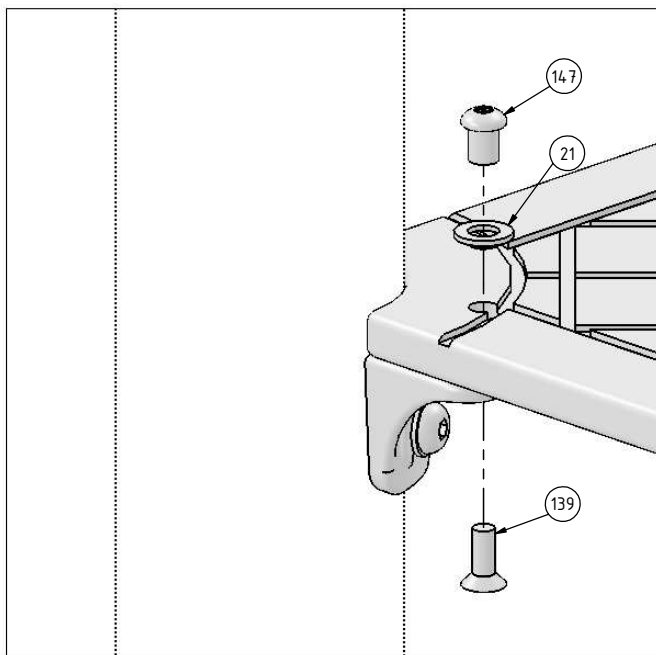
2



INST\_71\_60



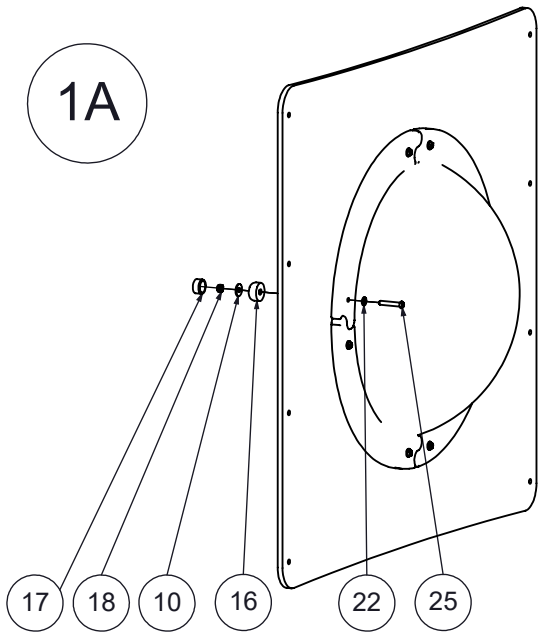
| Nr  | Σ | Element   |          |       |
|-----|---|---|----------|-------|
| 21  | 6 |  | DIN 125  | 8x16  |
| 22  | 2 |  | DIN 125  | 6x12  |
| 24  | 2 |  | ISO 7380 | M6x16 |
| 139 | 4 |  | DIN 7991 | M6x16 |
| 147 | 6 |  | -        | M6x10 |



# INST\_BUL\_1

8mm

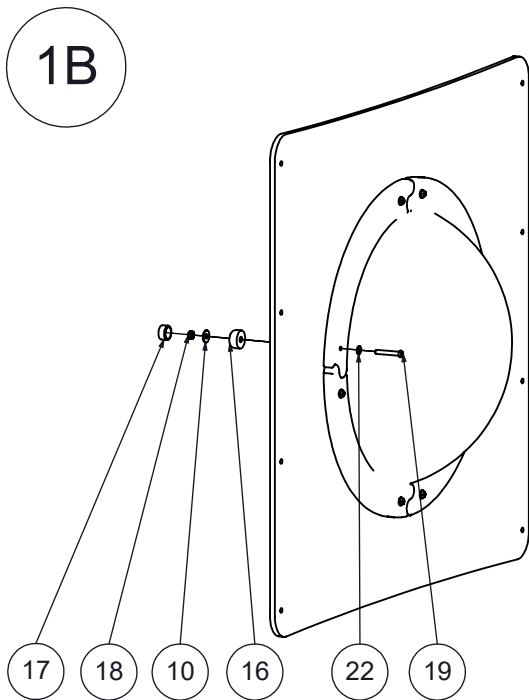
1A



| Nr | Σ | Element |          |          |
|----|---|---------|----------|----------|
| 10 | 8 |         | DIN 9021 | 6x18     |
| 16 | 8 |         | -        | K1_d21_B |
| 17 | 8 |         | -        | Z1_d21_B |
| 18 | 8 |         | DIN 985  | M6 (OC)  |
| 22 | 8 |         | DIN 125  | 6x12     |
| 25 | 8 |         | ISO 7380 | M6x35    |

1B

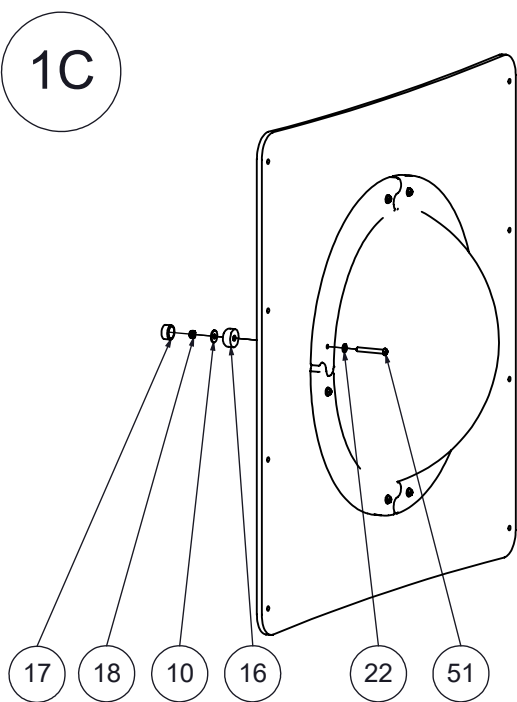
13mm



| Nr | Σ | Element |          |          |
|----|---|---------|----------|----------|
| 10 | 8 |         | DIN 9021 | 6x18     |
| 16 | 8 |         | -        | K1_d21_B |
| 17 | 8 |         | -        | Z1_d21_B |
| 18 | 8 |         | DIN 985  | M6 (OC)  |
| 19 | 8 |         | ISO 7380 | M6x40    |
| 22 | 8 |         | DIN 125  | 6x12     |


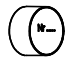
1C

15mm



| Nr | Σ | Element |          |          |
|----|---|---------|----------|----------|
| 10 | 8 |         | DIN 9021 | 6x18     |
| 16 | 8 |         | -        | K1_d21_B |
| 17 | 8 |         | -        | Z1_d21_B |
| 18 | 8 |         | DIN 985  | M6 (OC)  |
| 22 | 8 |         | DIN 125  | 6x12     |
| 51 | 8 |         | ISO 7380 | M6x45    |

# INST\_Z\_1

| Nr  | Σ | Element   |   |        |
|-----|---|---|---|--------|
| 213 | 1 |  | - | Z_NA_1 |
| 214 | 1 |  | - | Z_NA_2 |

